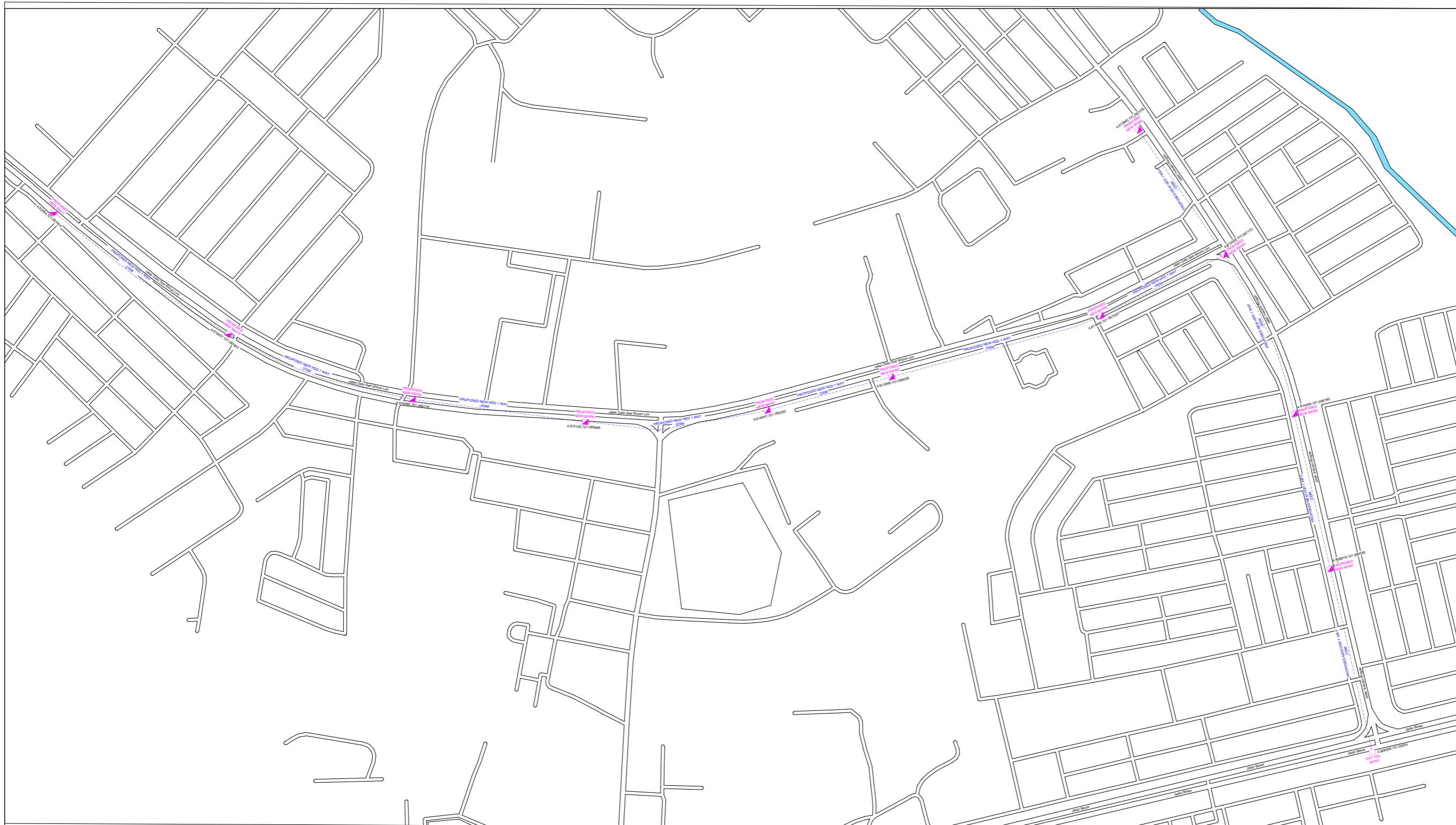


CONFIDENTIALITY

These drawings and details are and shall remain the property of TT dotCom Sdn Bhd. Both are issued in strict confidence and shall not be reproduced, copied or used in any manner without specific written permission from the owner.

LEGEND :- OUTSIDE PLANT

- = EXISTING TIME MANHOLE
- = PROPOSED TIME MANHOLE
- = BUILDING MANHOLE
- = BUILDING PIT
- = PROPOSED TRUNKING
- = HUB BOX
- = SUB BOX
- = END BOX
- = FOC 1C (LINE 1)
- = FOC 1C (LINE 2)
- = FOC 1C (LINE 3)
- = FOC 1C (LINE 4)
- = FOC 1C (LINE 5)
- = FOC 1C (LINE 6)
- = FOC 1C (LINE 7)
- = FOC 1C (LINE 8)
- = CABLE 48C
- = PROPOSED McT
- = PROPOSED HDD



REV. NO	REV. DATE	DESCRIPTION:



NEXUSCORPGROUP SDN. BHD.
 No.14-1, Jalan Keluli 7 /109,
 Kawasan Perindustrian, Seksyen 7,
 40000 Shah Alam, Selangor



TT dotCom Sdn Bhd (52371-A)
 Jalan Majistret U1/26,
 Hicom Glenmarie Industrial Park
 40150 Shah Alam, Selangor Darul Ehsan, Malaysia.
 Tel: +60 3 5032 6000
 Website: www.time.com.my

PROJECT TITLE:
DRAWING OUTSIDE PLAN FOR SPUR FOR SDU

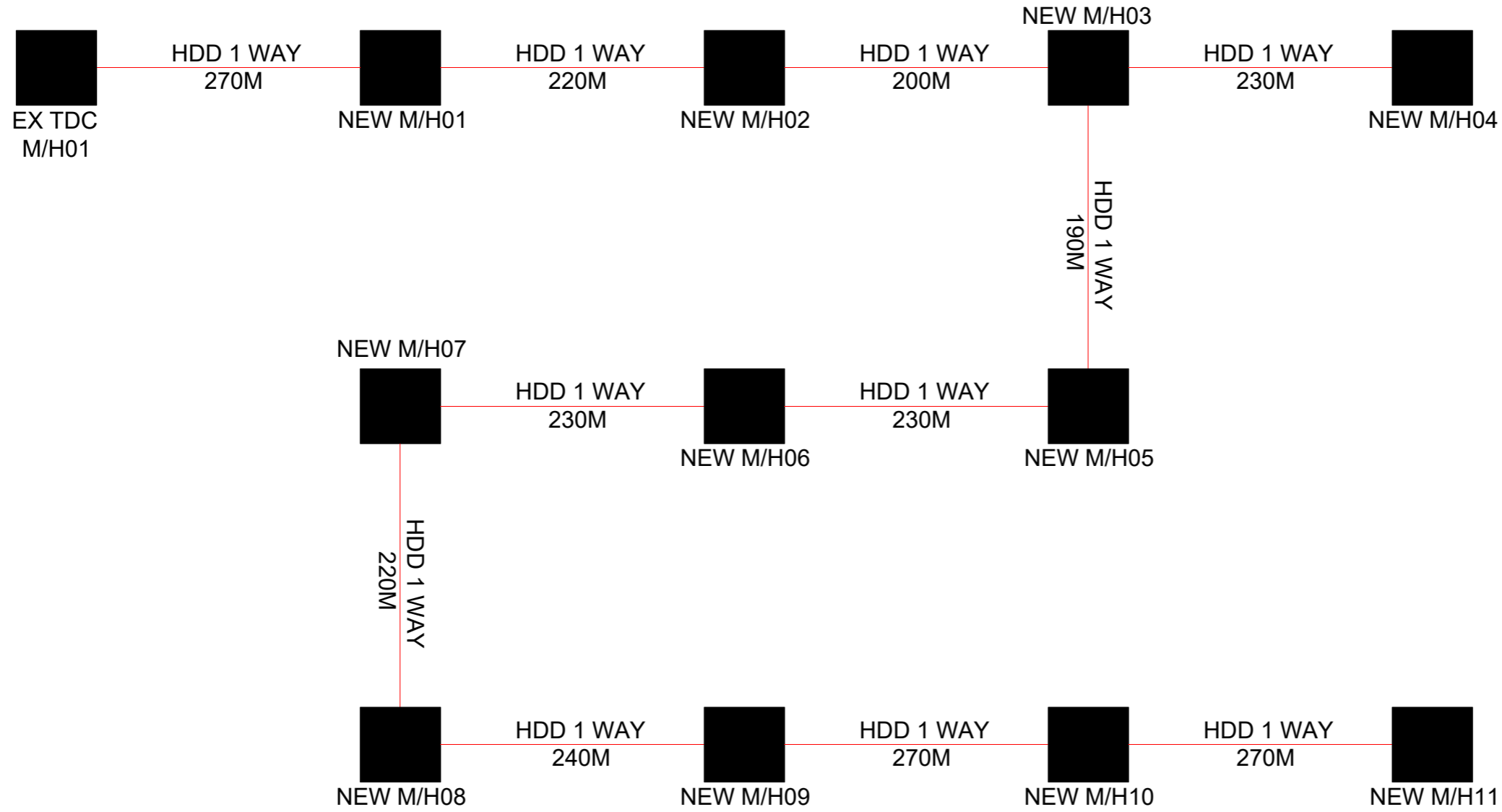
DRAWING TITLE:
PROPOSED SPUR FOR SUNGAI SIPUT , PHASE 01

DRAWING NO: 00000 0 SHEET NO: OF

DRAWING SCALE: N.T.S	DRAWING UNITS: METER
PREPARED BY: SHAHIR	INITIAL & DATE:
DESIGNED BY: SUHAIL	INITIAL & DATE:
CHECKED BY:	INITIAL & DATE:
APPROVED BY:	INITIAL & DATE:

CONFIDENTIALITY

These drawings and details are and shall remain the property of TT dotCom Sdn Bhd. Both are issued in strict confidence and shall not be reproduced, copied or used in any manner without specific written permission from the owner.



- LEGEND :- OUTSIDE PLANT
- = EXISTING TIME MANHOLE
 - ◻ = PROPOSED TIME MANHOLE
 - = BUILDING MANHOLE
 - ⊠ = BUILDING PIT
 - ⊡ = PROPOSED TRUNKING
 - ▲ = HUB BOX
 - SB = SUB BOX
 - EB = END BOX
 - = FOC 1C (LINE 1)
 - = FOC 1C (LINE 2)
 - = FOC 1C (LINE 3)
 - = FOC 1C (LINE 4)
 - = FOC 1C (LINE 5)
 - = FOC 1C (LINE 6)
 - = FOC 1C (LINE 7)
 - = FOC 1C (LINE 8)
 - = CABLE 48C
 - - - = PROPOSED MGT
 - - - = PROPOSED HDD

REV. NO	REV. DATE	DESCRIPTION:

NEXUSCORP
 NEXUSCORPGROUP SDN. BHD.
 No.14-1, Jalan Keluli 7 /109,
 Kawasan Perindustrian, Seksyen 7,
 40000 Shah Alam, Selangor

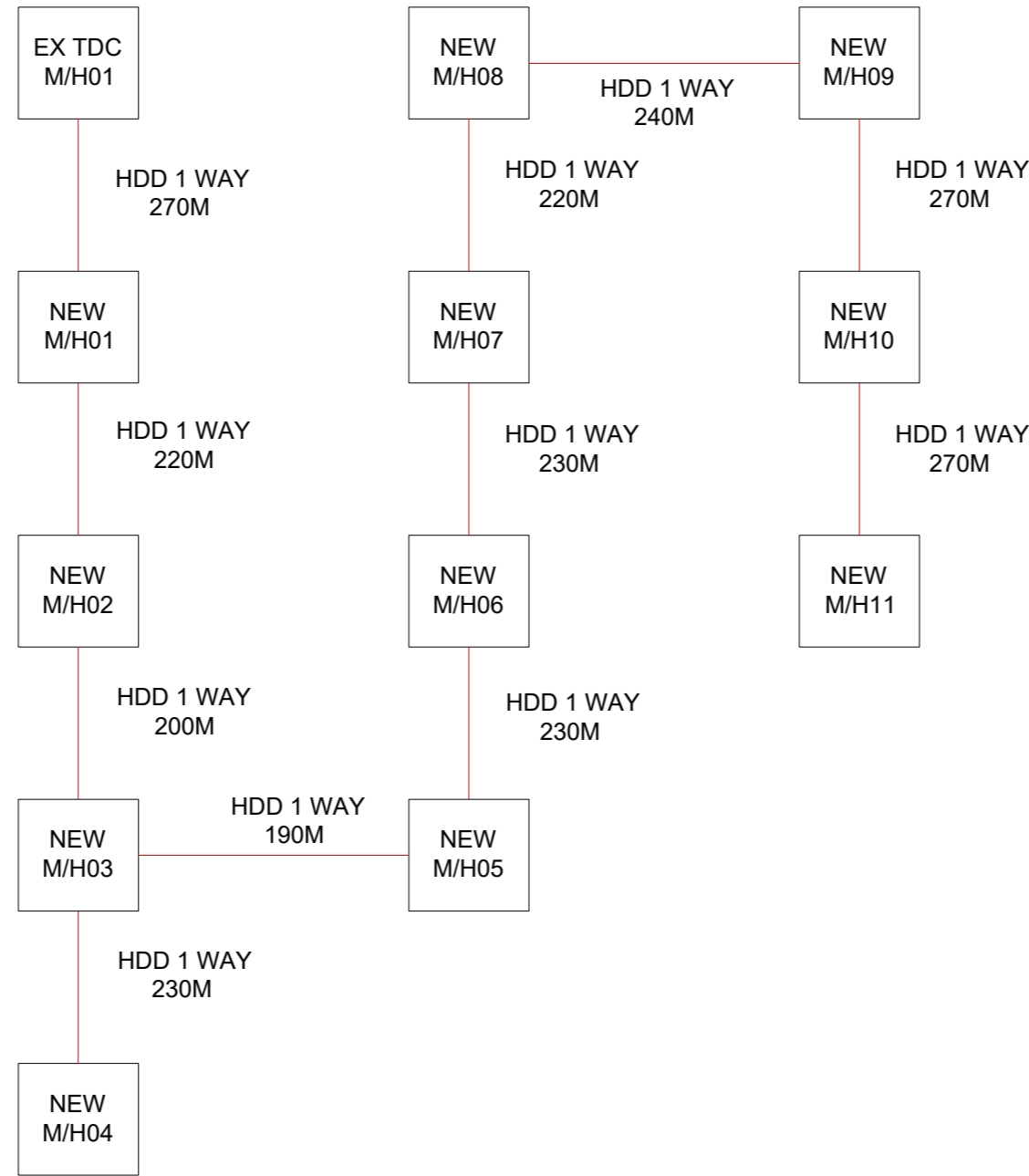
time™
 TT dotCom Sdn Bhd (52371-A)
 Jalan Majistret U1/26,
 Hicom Glenmarie Industrial Park
 40150 Shah Alam, Selangor Darul Ehsan, Malaysia.
 Tel: +60 3 5032 6000
 Website: www.time.com.my

PROJECT TITLE: DRAWING OUTSIDE PLAN FOR SPUR FOR SDU	DRAWING SCALE: N.T.S	DRAWING UNITS: METER
DRAWING TITLE: PROPOSED SPUR FOR SUNGAI SIPUT, PHASE 01	PREPARED BY: SHAHIR	INITIAL & DATE:
DRAWING NO: 00000	DESIGNED BY: SUHAIL	INITIAL & DATE:
SHEET NO: 0	CHECKED BY:	INITIAL & DATE:
OF	APPROVED BY:	INITIAL & DATE:

PREPARED BY: SHAHIR	INITIAL & DATE:
DESIGNED BY: SUHAIL	INITIAL & DATE:
CHECKED BY:	INITIAL & DATE:
APPROVED BY:	INITIAL & DATE:

CONFIDENTIALITY

These drawings and details are and shall remain the property of TT dotCom Sdn Bhd. Both are issued in strict confidence and shall not be reproduced, copied or used in any manner without specific written permission from the owner.



LEGEND :- OUTSIDE PLANT

- = EXISTING TIME MANHOLE
- = PROPOSED TIME MANHOLE
- = BUILDING MANHOLE
- = BUILDING PIT
- = PROPOSED TRUNKING
- = HUB BOX
- = SUB BOX
- = END BOX
- = FOC 1C (LINE 1)
- = FOC 1C (LINE 2)
- = FOC 1C (LINE 3)
- = FOC 1C (LINE 4)
- = FOC 1C (LINE 5)
- = FOC 1C (LINE 6)
- = FOC 1C (LINE 7)
- = FOC 1C (LINE 8)
- = CABLE 48C
- = PROPOSED McT
- = PROPOSED HDD

REV. NO	REV. DATE	DESCRIPTION:



NEXUSCORPGROUP SDN. BHD.
 No.14-1,Jalan Keluli 7 /109,
 Kawasan Perindustrian,Seksyen 7,
 40000 Shah Alam,Selangor



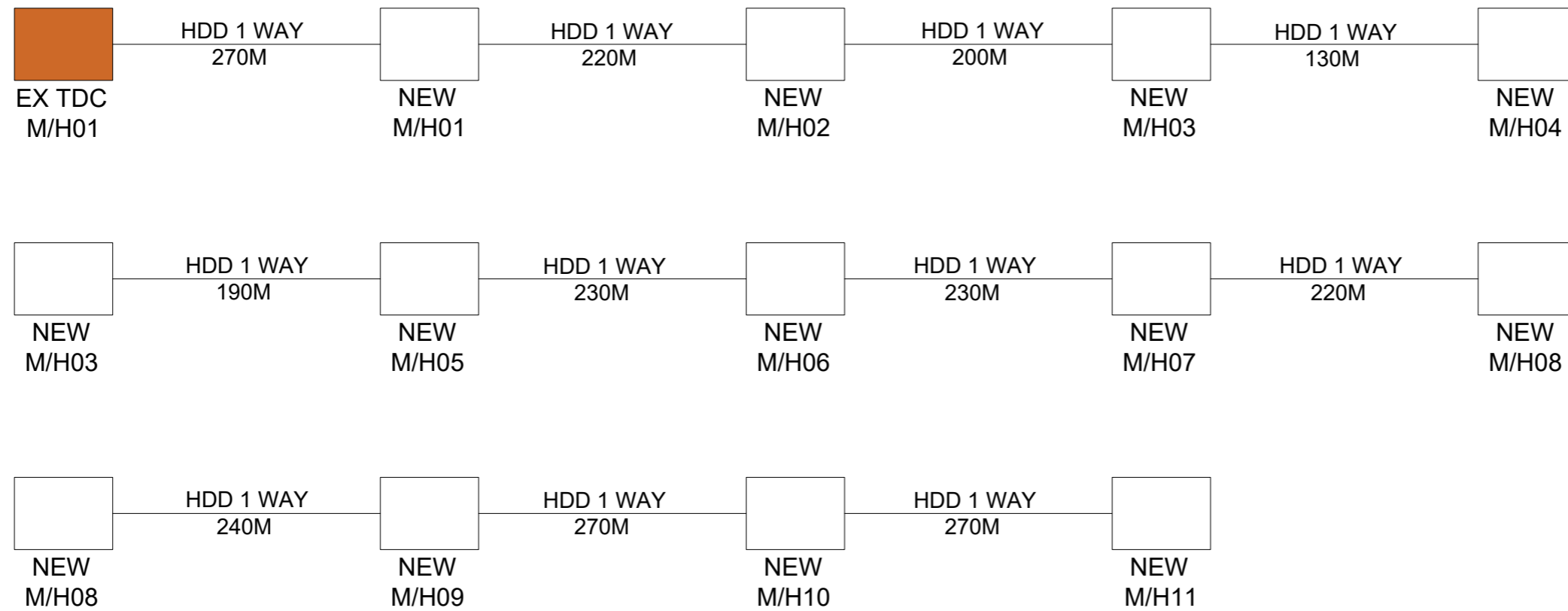
TT dotCom Sdn Bhd (52371-A)
 Jalan Majistret U1/26,
 Hicom Glenmarie Industrial Park
 40150 Shah Alam,Selangor Darul Ehsan, Malaysia.
 Tel: +60 3 5032 6000
 Website: www.time.com.my

PROJECT TITLE: DRAWING OUTSIDE PLAN FOR SPUR FOR SDU	DRAWING SCALE: N.T.S
DRAWING TITLE: PROPOSED SPUR FOR SUNGAI SIPUT , PHASE 01	PREPARED BY: SHAHIR
DRAWING NO: 000000	DESIGNED BY: SUHAIL
SHEET NO: OF	CHECKED BY:
	APPROVED BY:

DRAWING UNITS: METER	INITIAL & DATE:

CONFIDENTIALITY

These drawings and details are and shall remain the property of TT dotCom Sdn Bhd. Both are issued in strict confidence and shall not be reproduced, copied or used in any manner without specific written permission from the owner.



LEGEND :- OUTSIDE PLANT

- = EXISTING TIME MANHOLE
- = PROPOSED TIME MANHOLE
- = BUILDING MANHOLE
- = BUILDING PIT
- = PROPOSED TRUNKING
- = HUB BOX
- = SUB BOX
- = END BOX
- = FOC 1C (LINE 1)
- = FOC 1C (LINE 2)
- = FOC 1C (LINE 3)
- = FOC 1C (LINE 4)
- = FOC 1C (LINE 5)
- = FOC 1C (LINE 6)
- = FOC 1C (LINE 7)
- = FOC 1C (LINE 8)
- = CABLE 48C
- = PROPOSED McT
- = PROPOSED HDD

REV.NO	REV.DATE	DESCRIPTION:



NEXUSCORPGROUP SDN. BHD.
 No.14-1,Jalan Keluli 7 /109,
 Kawasan Perindustrian,Seksyen 7,
 40000 Shah Alam,Selangor



TT dotCom Sdn Bhd (52371-A)
 Jalan Majistret U1/26,
 Hicom Glenmarie Industrial Park
 40150 Shah Alam,Selangor Darul Ehsan, Malaysia.
 Tel: +60 3 5032 6000
 Website: www.time.com.my

PROJECT TITLE:
DRAWING OUTSIDE PLAN FOR SPUR FOR SDU

DRAWING TITLE:
PROPOSED SPUR FOR SUNGAI SIPUT , PHASE 01

DRAWING NO: 00000 SHEET NO: 0 OF

DRAWING SCALE: N.T.S	DRAWING UNITS: METER
PREPARED BY: SHAHIR	INITIAL & DATE:
DESIGNED BY: SUHAIL	INITIAL & DATE:
CHECKED BY:	INITIAL & DATE:
APPROVED BY:	INITIAL & DATE: