




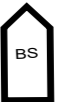







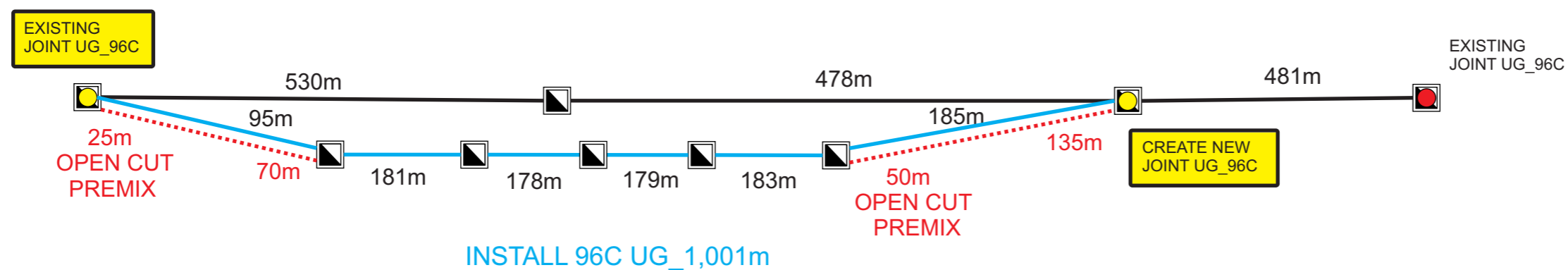
SAIZ KABEL	JARAK COPPER (m)	JARAK FIBER (m)
	0.00	
	0.00	
	0.00	
	0.00	
	0.00	

191000005362

GPRA SIMB-SGL 96C_J_A RWO-A
 JLN IPOH-BUTTERWORTH
 OCEANERGY GASES SDN BHD RWO

-  :- FDP
-  :- M / HOLE
-  :- BREAKING & PREMIX MH
-  :- BREAKING & REPAIR J/BOX
-  :- Joint
-  :- FDC
-  :- CONCRETE POLE (NEW)
-  :- CONCRETE POLE (EXISTING)

-  96C LOOSE UG
-  TRENCHING 4WAY 100mm
-  EXISTING ROUTE HDPE



** Kesemua manhole adalah manhole sedia ada.

DISEDIAKAN OLEH:

MOHD NAZRIN BIN AYOB
 AREA MANAGER
 PIRACOM SDN BHD
 H/P: 016-6344198

DISEMAK OLEH:

CONTACT PERSON

191000005362 CNFD-PIR-2415561-TP
 GPRA SIMB-SGL 96C_J_A RWO-A JLN IPOH-BUTTERWORTH_OCEANERGY GASES SDN BHD RWO