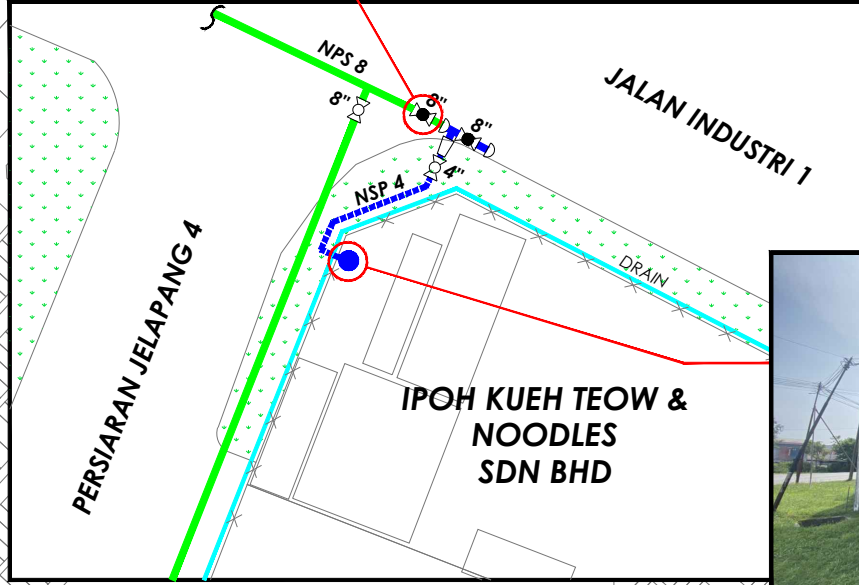


KEYPLAN
JELAPANG INDUSTRIAL AREA



DETAIL



DESIGN DETAILS			
1	PIPELINE SYSTEM	MPA	MPB
2	DESIGN CODE	ASME B31.8	N/A
3	DESIGN PRESSURE/MAOP	2700 kPag	N/A
4	OPERATING PRESSURE RANGE	1034~2700 kPag	N/A
5	MIN. SPECIFIED TEST PRESSURE	4050 kPag	N/A
6	MATERIAL	STEEL	PE
7	CLASS LOCATION	4	N/A
8	DESIGN TEMPERATURE	15~55°C	N/A
9	FLOWRATE		

LEGENDS:

- EXISTING FEEDER LINE (MPA)
- PROPOSED FEEDER LINE (MPA)
- PROPOSED SERVICE LINE (MPA)
- PROPOSED SERVICE STATION (MPA)
- OPEN VALVE
- CLOSE VALVE
- END CAP
- REDUCER

NOTES:

- PROPOSED SERVICE AND BRANCHING OFF VALVES TO BE LOCATED AT THE OUTSIDE OF CUSTOMER BOUNDARY AND TO BE PLACED CLOSEST POSSIBLE TO THE BRANCHING POINT.
- MAOP : MAXIMUM ALLOWABLE OPERATING PRESSURE.
- THE INFORMATION IN THE DRAWING IS FOR REFERENCE ONLY. THE CONTRACTOR SHALL VERIFY THE ACCURACY OF THE DRAWING AT SITE.


REFERENCE DRAWING

NO.	DRAWING TITLE	DRAWING NO.

REVISION

NO.	DATE	DESCRIPTION	DSGND	DRAWN	CHKD	APPR

OWNER:



GAS MALAYSIA DISTRIBUTION SDN BHD
NO.5, GROUND FLOOR,
JALAN SERENDAH 26/17,
SEKSYEN 26,
40732 SHAH ALAM,
SELANGOR DARUL EHSAN.

A Member of Gas Malaysia Berhad

CONTRACTOR:

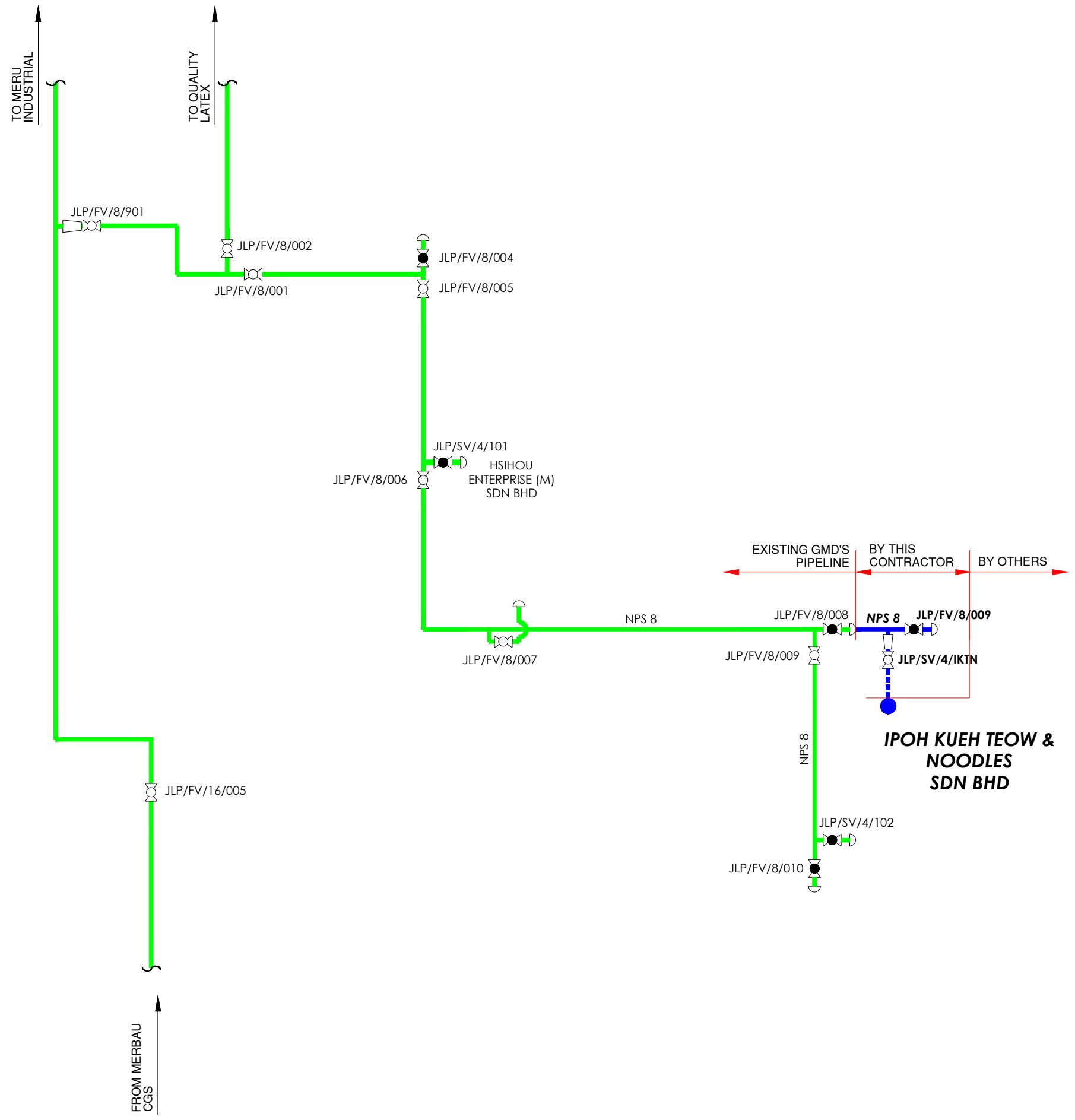
CERTIFIED BY COMPETENT PERSON:
NAME:
REG. NO.:
DATE:

PROJECT TITLE:
NATURAL GAS DISTRIBUTION SYSTEM TO
IPOH KUEH TEOW & NOODLES SDN BHD
JELAPANG INDUSTRIAL AREA
IPOH PERAK

DRAWING TITLE:
PROPOSED GAS PIPELINE ROUTE

DRAWING NO.: GMD/NDS/IPOHKUEHTEOW/001A_MR REV. 0

DESIGNED	MR	APPROVED :	OM
DRAWN	MSR		
CHECKED	AAN/SAM		
CHECKED	MMZ		
TYPE	AUTHORITY		
DATE	07/10/2024	HEAD OF NETWORK DEVELOPMENT SECTION	
SCALE	NTS	CAD : NDS\2024\CRO\IPOHKUEHTEOW\AAN	



DESIGN DETAILS			
1	PIPELINE SYSTEM	MPA	MPB
2	DESIGN CODE	ASME B31.8	N/A
3	DESIGN PRESSURE/MAOP	2700 kPag	N/A
4	OPERATING PRESSURE RANGE	1034~2700 kPag	N/A
5	MIN. SPECIFIED TEST PRESSURE	4050 kPag	N/A
6	MATERIAL	STEEL	PE
7	CLASS LOCATION	4	N/A
8	DESIGN TEMPERATURE	15~55°C	N/A
9	FLOWRATE		

LEGENDS:

- EXISTING FEEDER LINE (MPA)
- PROPOSED FEEDER LINE (MPA)
- - - PROPOSED SERVICE LINE (MPA)
- PROPOSED SERVICE STATION (MPA)
- OPEN VALVE
- CLOSE VALVE
- END CAP
- REDUCER

NOTES:

- PROPOSED SERVICE AND BRANCHING OFF VALVES TO BE LOCATED AT THE OUTSIDE OF CUSTOMER BOUNDARY AND TO BE PLACED CLOSEST POSSIBLE TO THE BRANCHING POINT.
- MAOP : MAXIMUM ALLOWABLE OPERATING PRESSURE.
- THE INFORMATION IN THE DRAWING IS FOR REFERENCE ONLY. THE CONTRACTOR SHALL VERIFY THE ACCURACY OF THE DRAWING AT SITE.

REFERENCE DRAWING

NO.	DRAWING TITLE	DRAWING NO.

REVISION

NO.	DATE	DESCRIPTION	DSGND	DRAWN	CHKD	APPR

OWNER:

GAS MALAYSIA DISTRIBUTION SDN BHD
 NO.5, GROUND FLOOR,
 JALAN SERENDAH 26/17,
 SEKSYEN 26,
 40732 SHAH ALAM,
 SELANGOR DARUL EHSAN.

A Member of Gas Malaysia Berhad

CONTRACTOR:

IPOH KUEH TEOW & NOODLES SDN BHD

CERTIFIED BY COMPETENT PERSON:

NAME: _____

REG. NO.: _____

DATE: _____

PROJECT TITLE:

NATURAL GAS DISTRIBUTION SYSTEM TO
 IPOH KUEH TEOW & NOODLES SDN BHD
 JELAPANG INDUSTRIAL AREA
 IPOH PERAK

DRAWING TITLE:

SCHEMATIC DIAGRAM AND VALVE DESIGNATION

DRAWING NO.: GMD/NDS/KINTAVALLEYFLST2_24/001A_MR REV. 0

DESIGNED	MR	APPROVED : OM
DRAWN	MSR	
CHECKED	AAN/SAM	
CHECKED	MMZ	
TYPE	AUTHORITY	
DATE	26/09/2024	HEAD OF NETWORK DEVELOPMENT SECTION
SCALE	NTS	CAD : NDS\2024\CRO\IPOHKUEHTEOW\AAN