

# TECHNICAL PROPOSAL

**BUILD CATEGORY** : MC2021  
**REGION** : NORTHERN  
**STATE** : PERAK  
**CONTRACTOR** : TELITI TEKNIK (M) SDN BHD

**LINK:**  
C24-0199BC\_A00181\_LAWIN to A00962\_FELDA LAWIN UTARA



# MC21\_PERAK

| No | Region   | States | District   | Bucket | Work Package                    | Fiber ID   | Loc ID | Site Name | PLANNING INFRA (KM) | PLANNING CABLE (KM) | TP INFRA (KM) | TP SWAP (KM) | TP CABLE (KM) | Type Cable |
|----|----------|--------|------------|--------|---------------------------------|------------|--------|-----------|---------------------|---------------------|---------------|--------------|---------------|------------|
| 1  | NORTHERN | PERAK  | HULU PERAK | MC2021 | WP_2024_C24-0199BC_A00181_LAWIN | C24-0199BC | A00181 | LAWIN     | 0.5                 | 0.575               | 0.610         | -            | 0.701         | MAB        |



# Technical Proposal

FIBRE OPTIC CABLING SYSTEM AND ALL RELATED WORKS SURVEY, CONSTRUCTION AND IMPLEMENTATION OF CIVIL INFRASTRUCTURE.

**LINK NAME :C24-0199BC\_ A00181\_LAWIN to A00962\_FELDA LAWIN UTARA**

## **TABLE OF CONTENTS**

- PART 1 INTRODUCTION
  
- PART 2 SITE LOCATION MAP & OVERVIEW
  
- PART 3 SLD INFRA AND CABLE DETAILS
  
- PART 4 3<sup>rd</sup> PARTIES DEPENDENCIES
  
- PART 5 OSP & ISP PROPOSED SNAPSHOT
  
- PART 6 PROPOSED WORK PROGRAM



# PART 1

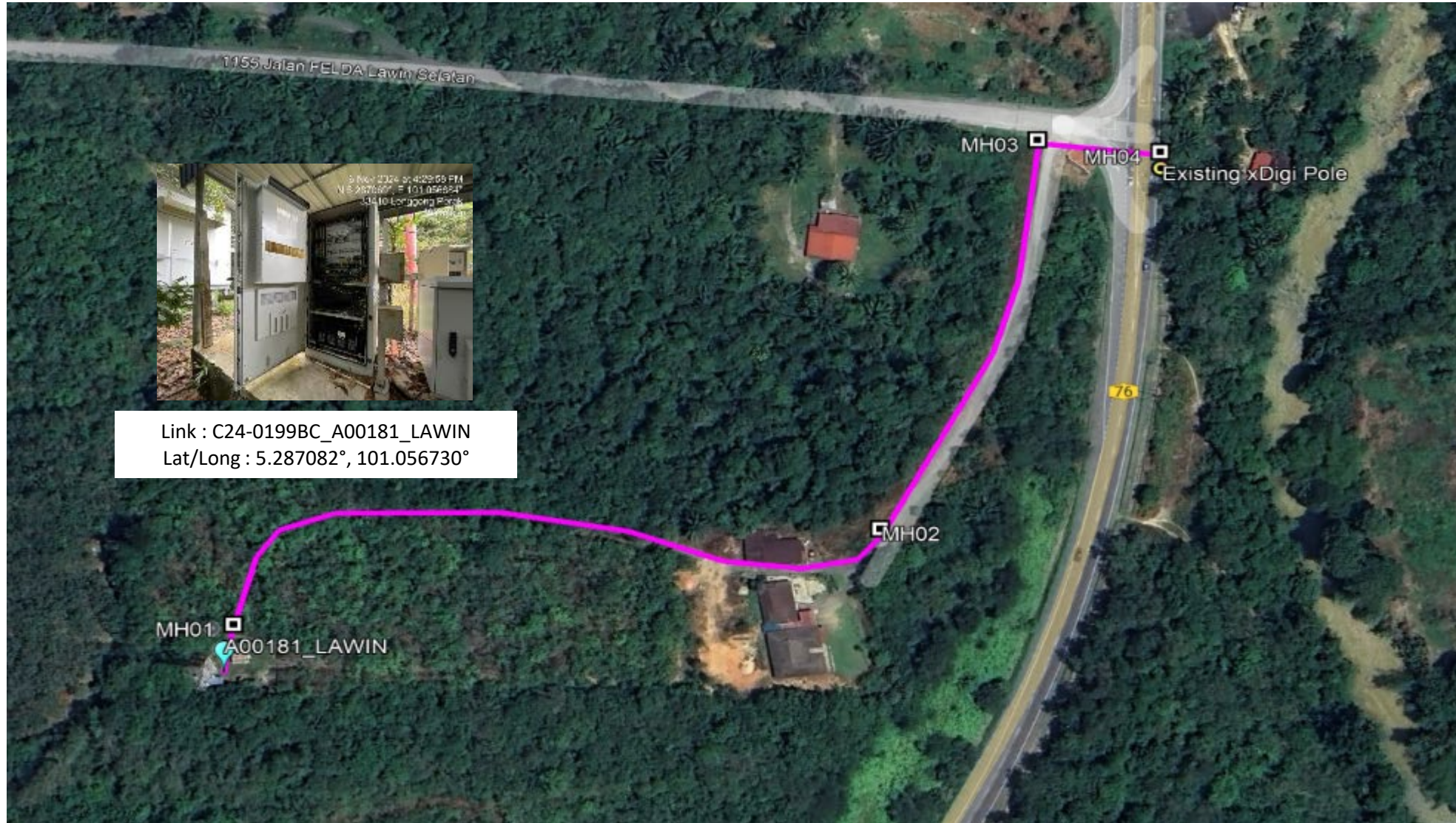
## INTRODUCTION

|                       |   |
|-----------------------|---|
| Project Name          | SURVEY, CONSTRUCTION AND IMPLEMENTATION OF CIVIL INFRASTRUCTURE, FIBRE OPTIC CABLING SYSTEM AND ALL RELATED WORKS<br>MC21_PERAK : C24-0199BC_A00181_LAWIN to A00962_FELDA LAWIN UTARA |
| Scope of work         | Survey, Trenching, HDD, Fibre optic Cabling & Splicing Work   |
| Site Name             | LAWIN   |
| Location/Floor Layout | As Attached   |
| Location ID           | A00181  |
| Site Address          | Kg Lawin, Lenggong, Hulu Perak, Perak   |
| Longitude, Latitude   | 5.2873°, 101.0567°  |
| Building Owner        | E.CO  |
| Date of Survey        | 6/11/2024   |
| Prepared By           | TELITI TEKNIK (M) SDN BHD   |
| Celcomdigi Berhad     | En. Wan Sobri Bin Wan Ahmad<br><a href="mailto:wansobri@celcomdigi.com">wansobri@celcomdigi.com</a><br>019-4166963  |



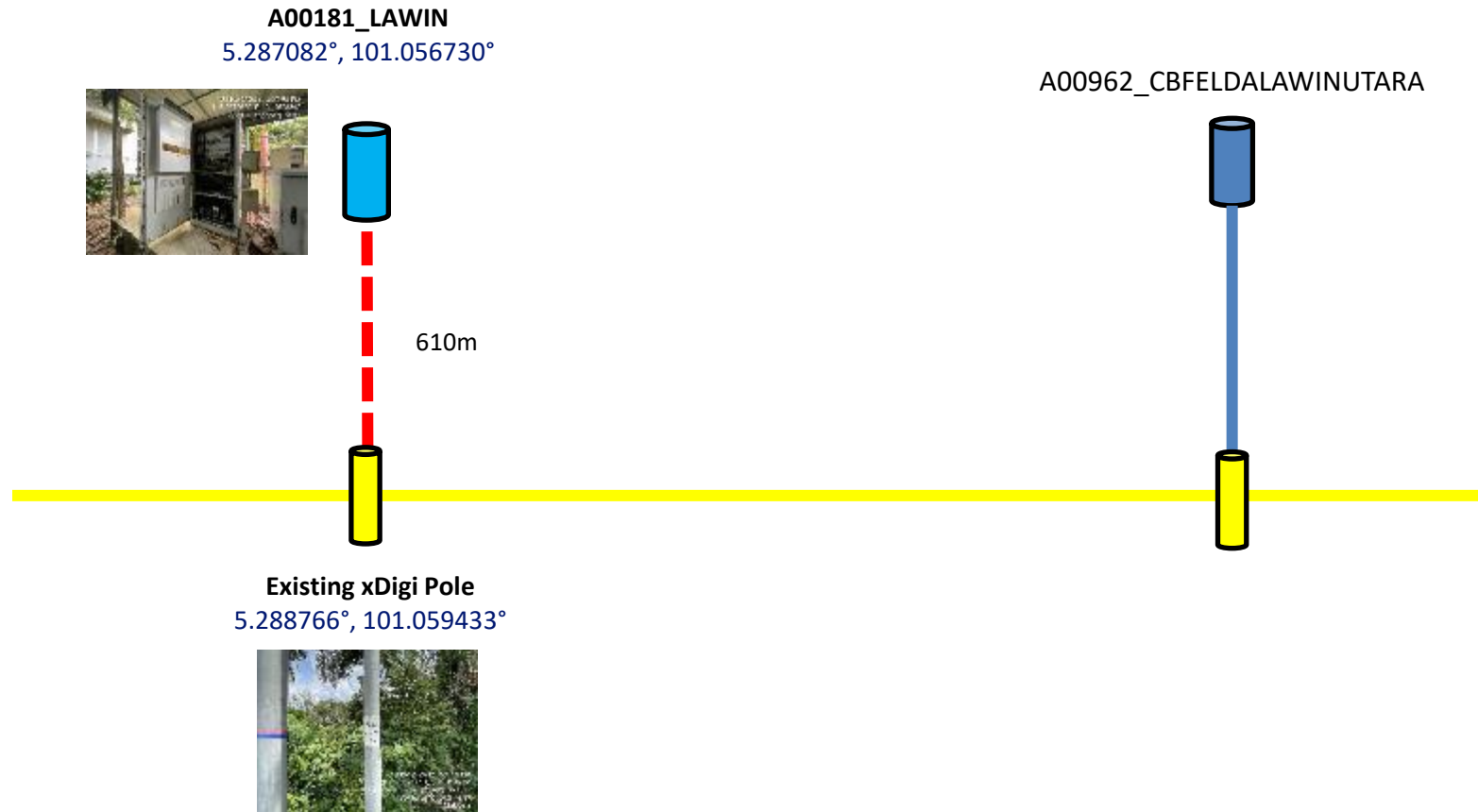
## PART 2

### SITE LOCATION MAP



# PART 3

## SLD INFRA DETAILS



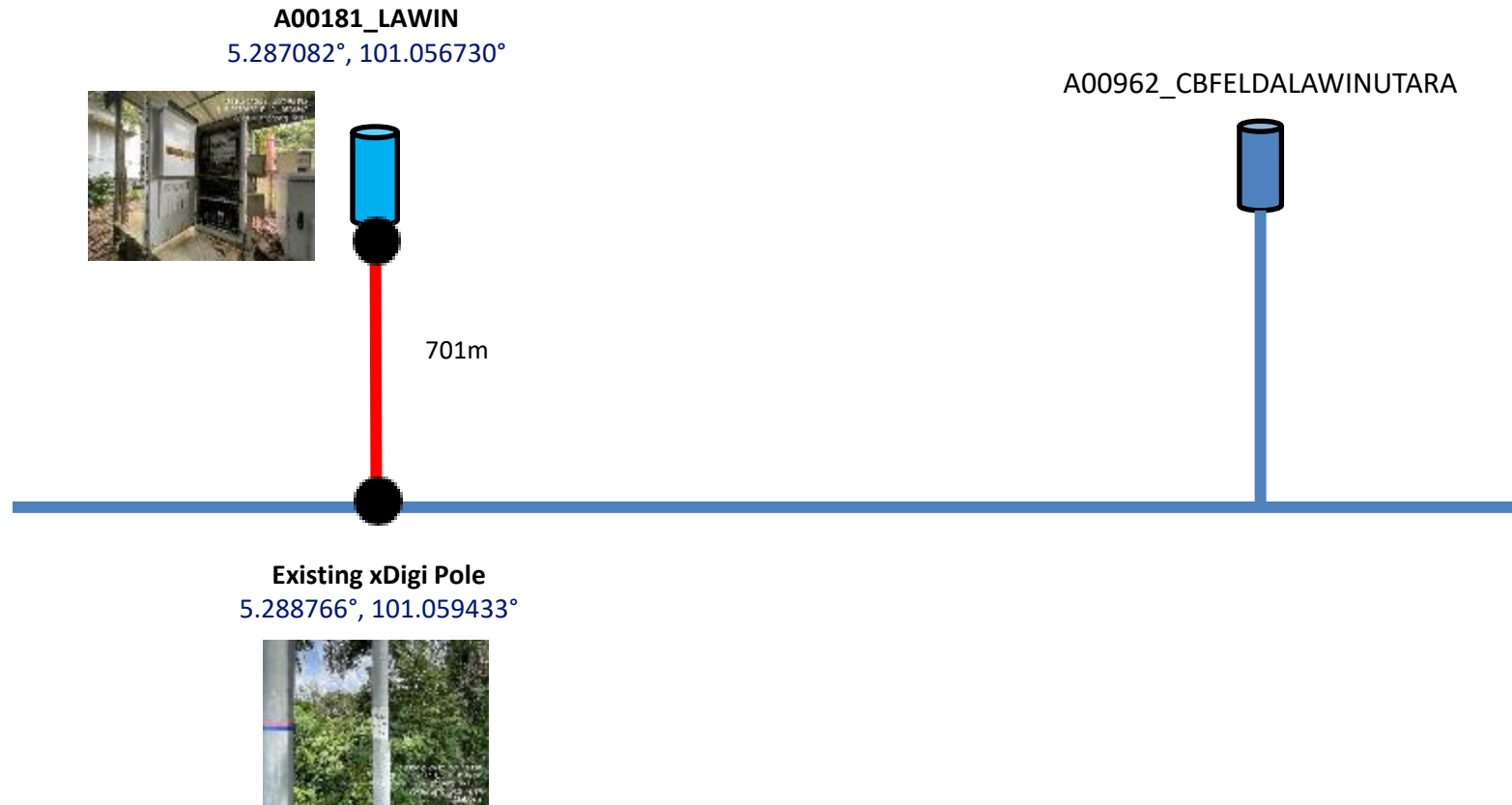
|  |                        |
|--|------------------------|
|  | xCelcom Node           |
|  | xDigi Node             |
|  | FEDB                   |
|  | Existing xCelcom Infra |
|  | Existing Digi Infra    |
|  | New Build              |
|  | Existing xCelcom MH    |
|  | Existing xDigi MH      |





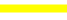


**TOTAL NEW BUILD : 610m**  
**TOTAL SITES : 1**



# PART 3

## SLD CABLE JOINT



|   |                        |
|---|------------------------|
|  | xCelcom Node           |
|  | xDigi Node             |
|  | FEDB                   |
|  | Existing xCelcom Infra |
|  | Existing Digi Infra    |
|  | New OFC                |
|  | Joint / Termination    |

**TOTAL NEW OFC: 610 MTR + 15% = 701 MTR**  
**TOTAL STAND ALONE : 0 MTR + 15% = 0 MTR**  
**GRAND TOTAL : 701 MTR + 0 MTR = 701 MTR**  
**TOTAL JOINT/TERMINATION : 2**



## PART 4

### 3<sup>rd</sup> Parties Dependencies

| Item                           | Parties Involve And Location                               |
|--------------------------------|--|
| LA/LC                          | 1. MAJLIS DAERAH GERIK<br>2. JABATAN KERJA RAYA HULU PERAK |
| LLM / KTM / SBC. Etc           |  |
| Building Management / LandLord |  |
| Private Owner                  |  |

| Other Highlights/Remark   |
|---|
| Road crossing and ROW change expected depending on Local Authority instruction. Method of Statement and location of MH subject to site condition and as advice/instruction by Implementation Manager during construction since other utilities like water pipes, telecommunication infra and TNB spotted on site. |

# PART 5

## OSP & ISP PROPOSED SNAPSHOT



No Space For ODF Installation on Existing Cabinet.

### Location of Rack / ODF & Cable Routing

Private & Confidential



celcomdigi

# PART 5

## OSP & ISP PROPOSED SNAPSHOT



### Cable Routing

Private & Confidential



celcomdigi

# PART 5

## OSP & ISP PROPOSED SNAPSHOT

7



### Civil & Cable Routing

Private & Confidential



celcomdigi

# PART 5

## OSP & ISP PROPOSED SNAPSHOT



### Civil & Cable Routing

Private & Confidential



celcomdigi

# PART 5

## OSP & ISP PROPOSED SNAPSHOT



### Civil & Cable Routing

Private & Confidential



celcomdigi

# PART 5

## OSP & ISP PROPOSED SNAPSHOT



### Civil & Cable Routing

Private & Confidential



celcomdigi

# PART 5

## OSP & ISP PROPOSED SNAPSHOT



### Civil & Cable Routing

Private & Confidential



celcomdigi

# PART 5

## OSP & ISP PROPOSED SNAPSHOT



### Civil & Cable Routing

Private & Confidential



celcomdigi

# PART 5

## OSP & ISP PROPOSED SNAPSHOT



### Civil & Cable Routing

Private & Confidential



celcomdigi

# PART 5

## OSP & ISP PROPOSED SNAPSHOT



### Civil & Cable Routing

Private & Confidential



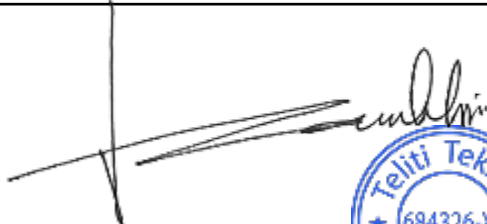
celcomdigi

# PART 8

## SUMMARY OF PROPOSAL

| ITEM                               | W46<br>2024 | W47<br>2024 | W48<br>2024 | W49<br>2024 | W50<br>2024 | W51<br>2024 | W52<br>2024 | W1<br>2025 | W2<br>2025 | W3<br>2025 | W4<br>2025 | W5<br>2025 | W6<br>2025 | W7<br>2025 | W8<br>2025 | W9<br>2025 |
|------------------------------------|-------------|-------------|-------------|-------------|-------------|-------------|-------------|------------|------------|------------|------------|------------|------------|------------|------------|------------|
| PR & PO Process                    | 2 Week      |             |             |             |             |             |             |            |            |            |            |            |            |            |            |            |
| P.O Handover                       |             |             |             |             |             |             |             |            |            |            |            |            |            |            |            |            |
| Work Permit (PTW & ePTW)           |             |             | 6 Week      |             |             |             |             |            |            |            |            |            |            |            |            |            |
| MOB & CIVIL WORK                   |             |             |             |             |             |             |             |            | 6 Week     |            |            |            |            |            |            |            |
| Cable Installation & Commissioning |             |             |             |             |             |             |             |            |            |            |            |            |            |            |            | 1 Week     |



|   |              |
|---|--------------|
| Prepared by:  | Approved by: |
| <br>Signature : | Signature :  |
| Name : <b>MOHAMMAD IZUDDIN MOHD MUSAI</b>   | Name :       |
| Designation: <b>PROJECT MANAGER</b>   | Designation: |
| Date: 13/11/24  | Date:        |

