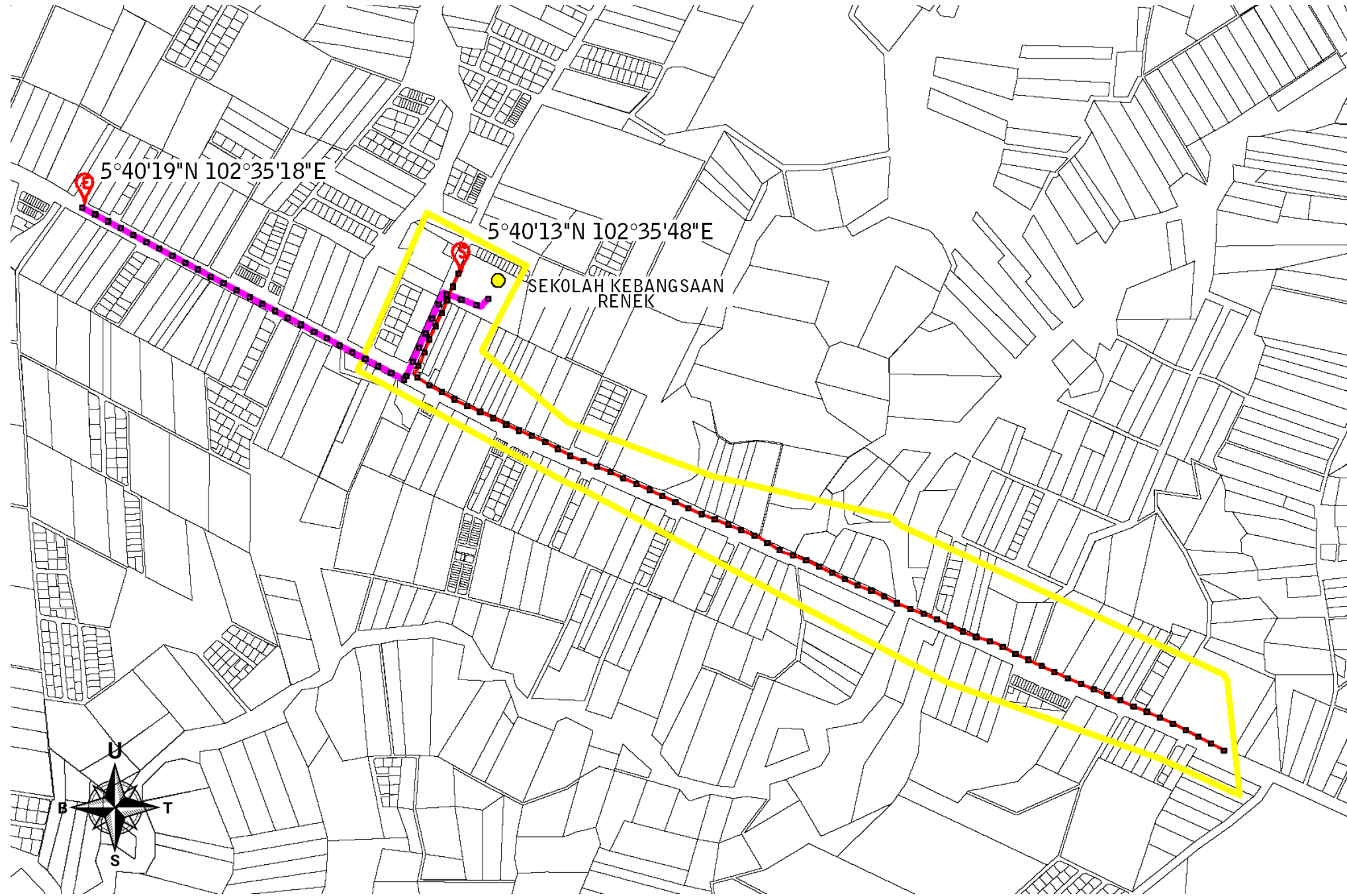










(DAERAH BESUT)
SEKOLAH KEBANGSAAN RENEK




-  - total length = 2,506.2m
- post = 71 nos
- distance post = 35m
 -  - total length = 1,264.51m
- post = 36 nos
- distance post = 35m
- TOTAL POST = 107 NOS**

LEGEND :

-  - GPON CABLE
-  - BACKHAUL CABLE
-  - FIBRE DISTRIBUTION CABINET
-  - START
-  - END
-  - SCHOOL

SITE PLAN



DRAWN BY: Potyar CHKD BY: DATE: DEC 2024 DWG. NO.: NAYAR/24/11	CLUSTER NAME : BESUT	ENDORSE BY:	KORIDOR UTILITI TEKNOLOGI TERENGGANU (Pelan Infrastruktur Utiliti)	NOTE:  AHMAD FARID BIN MOHAMAD Managing Director AZIMAT TELCO SDN BHD (1367371-U)	SHEET 10 - 22
	STATE: TERENGGANU		PROJECT TITLE: PERMOHONAN HAK AKSES CADANGAN LALUAN FIBER OPTIK & PENANAMAN TIANG BAGI PERMOHONAN IZIN LALU UNTUK PROJEK PENYEDIAAN DAN PENYELENGGARAAN POINT OF PRESENCE (POP) HUB INFRASTRUKTUR GENTIAN OPTIK BERHAMPIRAN DENGAN SEKOLAH, KAW. PERINDUSTRIAN, PREMIS KERAJAAN DAN KOMUNITI SEKITARNYA OLEH KEMENTERIAN KOMUNIKASI DAN MULTIMEDIA (K-KOM)		
	SCALE: NOT TO SCALE		VERSION: 1		
	DWG. NO.: NAYAR/24/11		VERSION: 1		