

TECHNICAL PROPOSAL

POP2 ABA3029 SEKOLAH KEBANGSAAN GUNONG SEMANGGOL (D-SIDE)

Company Name	: SEGALA DELIMA (M) SDN BHD
Company Address	: No. 8, Jalan Ampang Baru 6B, Pusat Perdagangan Baru, 31350 Ipoh, Perak
Prepared By	: Mohamad Helmi
Date	: 05/12/2024



Point A



Point B

Starting Point

Site / Boundary Name	: Sekolah Kebangsaan Gunong Semanggol
District	: Gunong Semanggol
Postcode	: 34400
State	: Perak
GPS Coordinate	: 4.968850 100.651218
LRD	: A

End Point

Site / Boundary Name	: Sekolah Kebangsaan Gunong Semanggol
Address	: Gunong Semanggol, Simpang Empat
District	: Gunong Semanggol
Postcode	: 34400
State	: Perak
GPS Coordinate	: 4.978700 100.649500
LRD	: B

1.0 WORK SUMMARY

NO	PROPOSED DISTANCE AND METHOD	UNIT	QUANTITY
1	Horizontal Directional Drilling (HDD)	m	30
2	Carriage Way Open Trench(CW)	m	0
3	Grass Verge Open Trenching (GV)	m	0
4	Micro Trenching (MT)	m	0
Total			0

NO	OTHER INFORMATION	UNIT	QUANTITY
1	Installation of Short Span ADSS Fiber Cables	m	2165
2	Install New Pole	ea	64
3	Install New JRC7 Manhole	ea	2
4	Install GI Riser 100mm	ea	2
5	Install Fiber Distribution Point and Closure (Splicing, Termination and Testing)	ea	13
6	Estimated Time Required for Completion	days	90

2.0 LOCAL AUTHORITY SUMMARY

Daerah Kerian

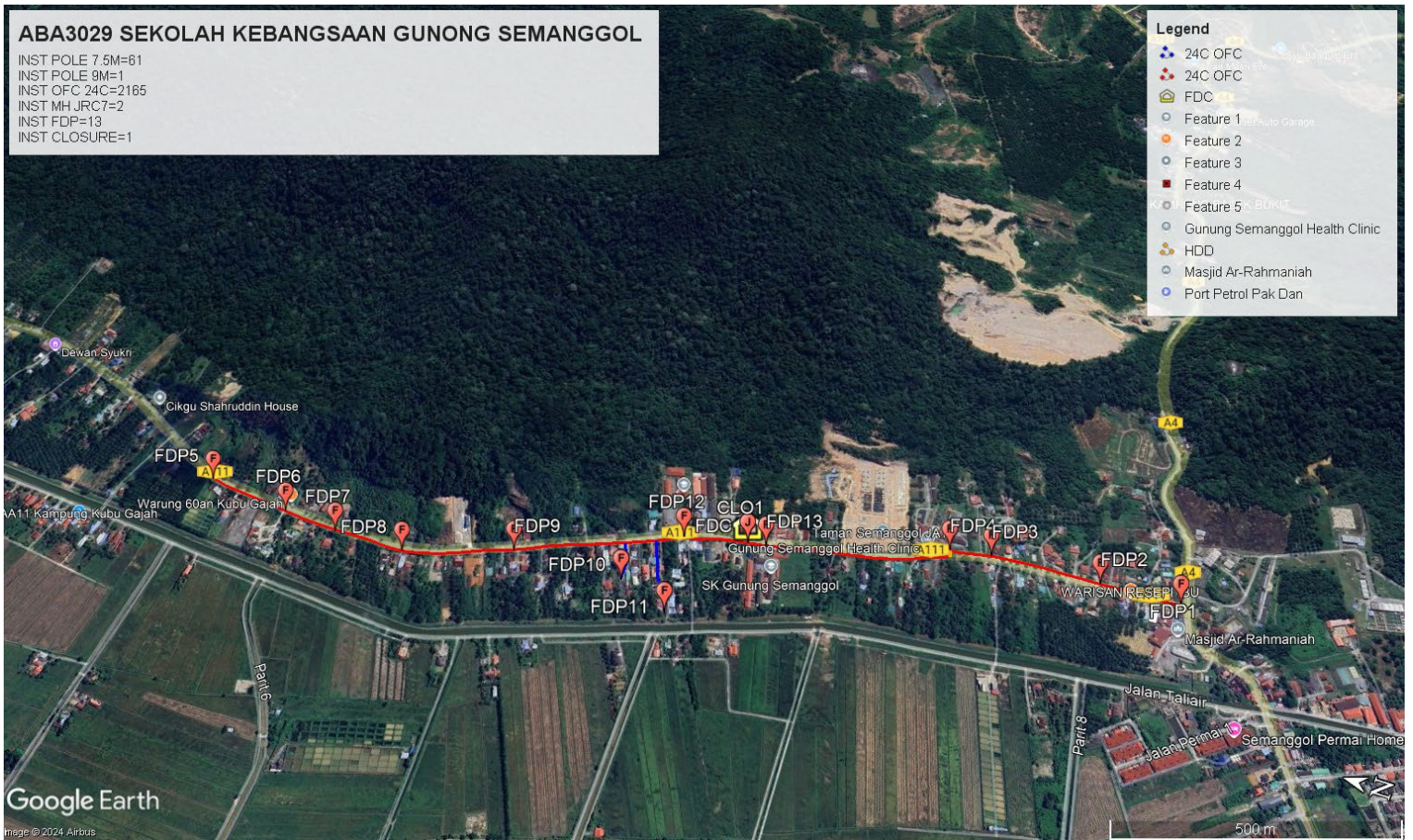
NO	ITEMS	Owner	Quantity	Distance (m)
1	HDD	JKR	1	30
		Majlis	-	-
		Estate / Private Land	-	-
2	New Pole	JKR	58	1990
		Majlis	6	175
		Estate / Private Land	-	-
Total Distance (m)				2195

3.0 SITE PLAN (KMZ)

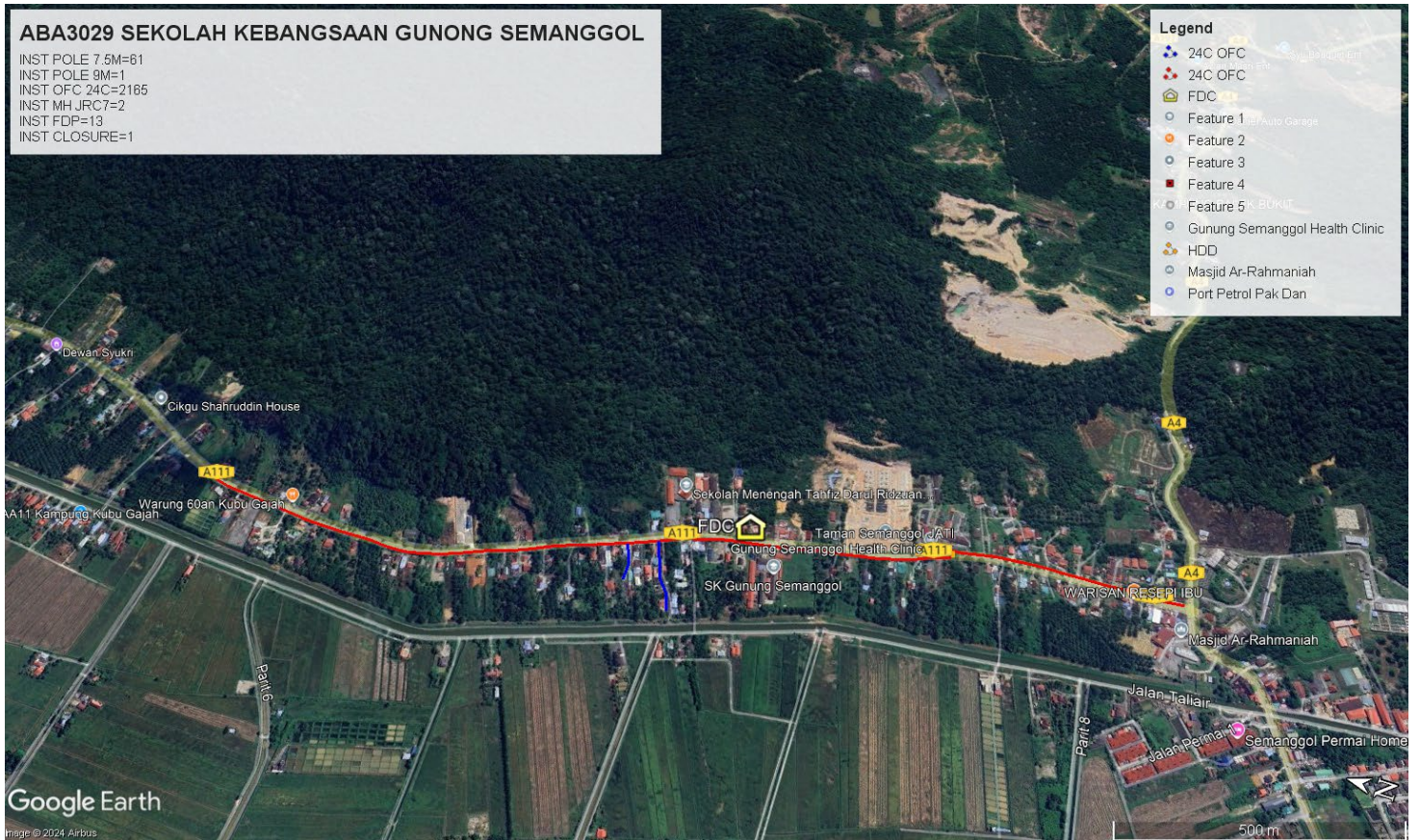
3.1 Overview Site Area (Propose New Pole)



3.2 Proposed FDP and Closure



3.3 Site Plan - KMZ Routing (All Local Authority)



Red Colour - JKR

Road Blue Colour - Majlis Road

3.0 PROPOSED NEW MANHOLE

Proposed New Manhole Coordinate					
No.	Manhole Number	Distance (m)	Latitude	Longitude	Local Authority
1	MH01	30	4.965339	100.652026	JKR Daerah Kerian
2	MH02	30	4.965365	100.652152	JKR Daerah Kerian

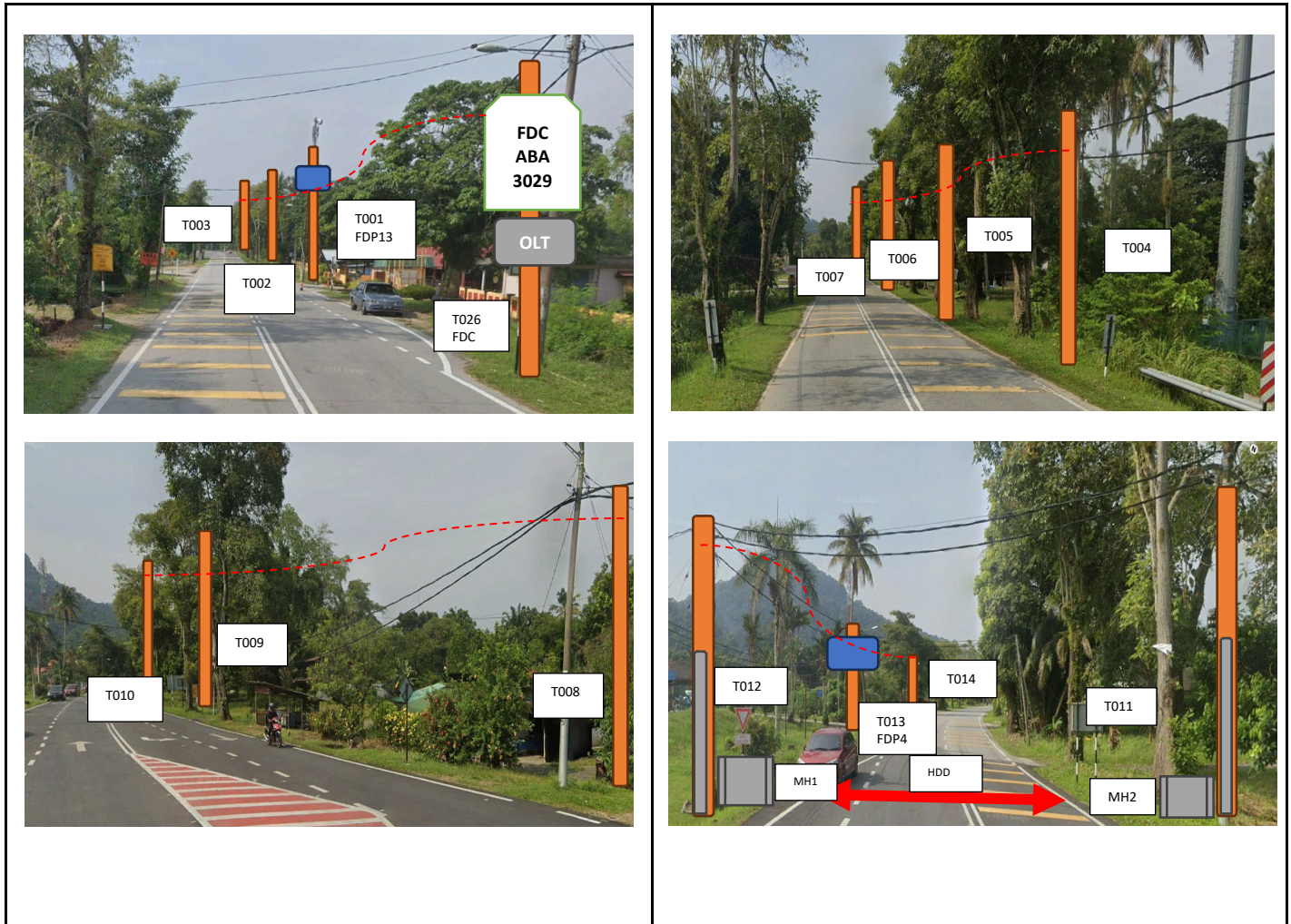
4.0 PROPOSED NEW POLE

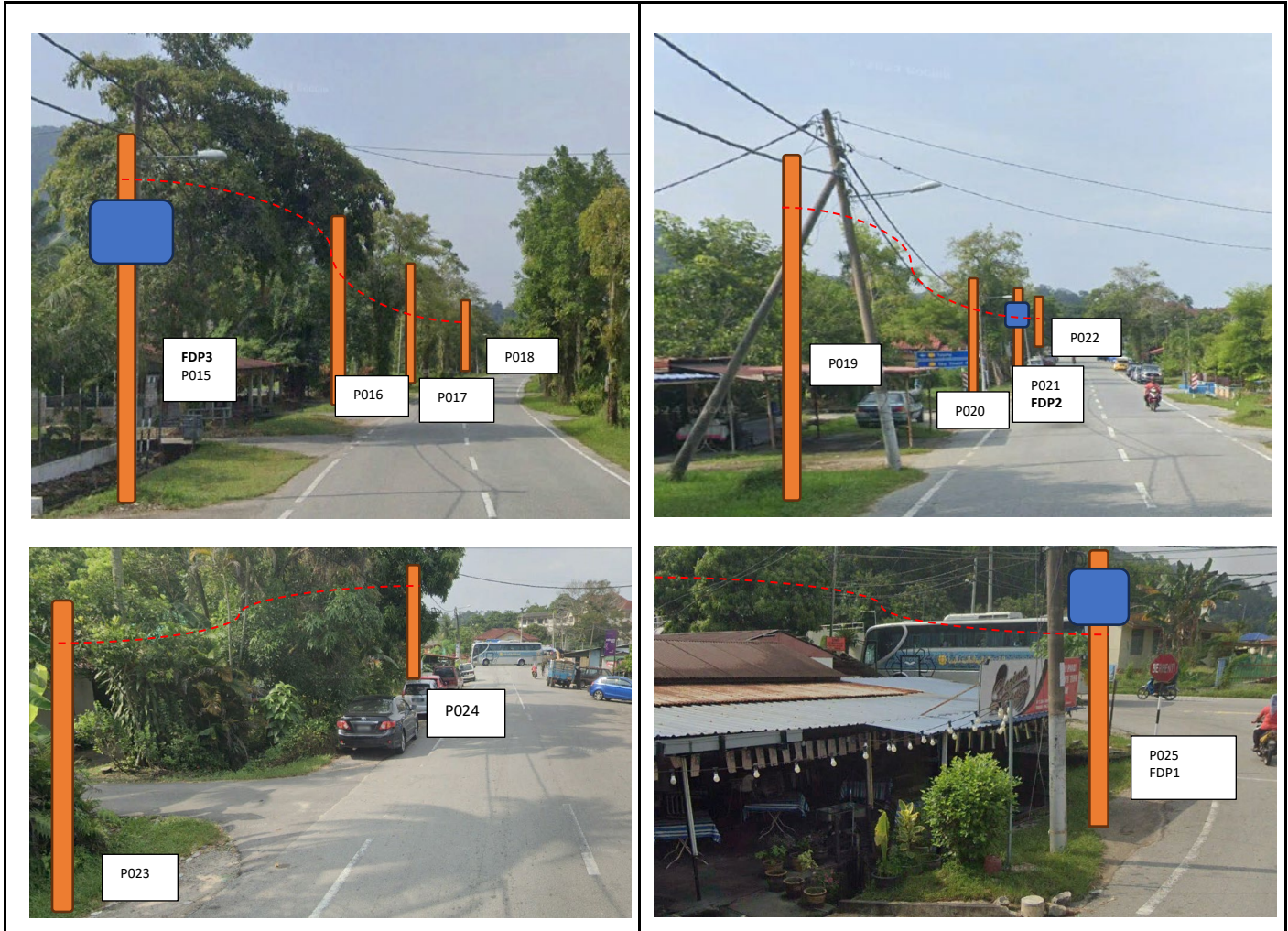
Proposed New Pole Coordinate					
No.	Pole Number	Distance (m)	Latitude	Longitude	Local Authority
1	T001	35	4.968528	100.651267	JKR Daerah Kerian
2	T002	35	4.968224	100.651323	JKR Daerah Kerian
3	T003	35	4.967909	100.651380	JKR Daerah Kerian
4	T004	35	4.967592	100.651441	JKR Daerah Kerian
5	T005	35	4.967284	100.651494	JKR Daerah Kerian
6	T006	35	4.966922	100.651553	JKR Daerah Kerian
7	T007	35	4.966602	100.651592	JKR Daerah Kerian
8	T008	35	4.966287	100.651669	JKR Daerah Kerian
9	T009	35	4.965981	100.651781	JKR Daerah Kerian
10	T010	35	4.965678	100.651919	JKR Daerah Kerian
11	T011	35	4.965354	100.652036	JKR Daerah Kerian
12	T012	35	4.965384	100.652157	JKR Daerah Kerian
13	T013	35	4.965219	100.652172	JKR Daerah Kerian
14	T014	35	4.964924	100.652226	JKR Daerah Kerian
15	T015	35	4.964663	100.652274	JKR Daerah Kerian
16	T016	35	4.964336	100.652304	JKR Daerah Kerian
17	T017	35	4.964028	100.652327	JKR Daerah Kerian
18	T018	35	4.963706	100.652338	JKR Daerah Kerian
19	T019	35	4.963375	100.652334	JKR Daerah Kerian
20	T020	35	4.963110	100.652331	JKR Daerah Kerian
21	T021	35	4.962757	100.652325	JKR Daerah Kerian
22	T022	35	4.962422	100.652322	JKR Daerah Kerian
23	T023	35	4.962079	100.652310	JKR Daerah Kerian
24	T024	35	4.961711	100.652300	JKR Daerah Kerian
25	T025	35	4.961386	100.652326	JKR Daerah Kerian
26	T026	35	4.968852	100.651215	JKR Daerah Kerian
27	T027	35	4.969160	100.651166	JKR Daerah Kerian
28	T028	35	4.969448	100.651107	JKR Daerah Kerian
29	T029	35	4.969749	100.651016	JKR Daerah Kerian
30	T030	35	4.969968	100.650954	JKR Daerah Kerian

Proposed New Pole Coordinate					
No.	Pole Number	Distance (m)	Latitude	Longitude	Local Authority
31	T031	35	4.970221	100.650846	JKR Daerah Kerian
32	T032	35	4.970410	100.650763	JKR Daerah Kerian
33	T033	35	4.970737	100.650640	JKR Daerah Kerian
34	T034	35	4.970926	100.650559	JKR Daerah Kerian
35	T035	35	4.971263	100.650434	JKR Daerah Kerian
36	T036	35	4.971573	100.650299	JKR Daerah Kerian
37	T037	35	4.971864	100.650202	JKR Daerah Kerian
38	T038	35	4.972169	100.650087	JKR Daerah Kerian
39	T039	35	4.972469	100.649964	JKR Daerah Kerian
40	T040	35	4.972778	100.649831	JKR Daerah Kerian
41	T041	35	4.973093	100.649729	JKR Daerah Kerian
42	T042	35	4.973397	100.649610	JKR Daerah Kerian
43	T043	35	4.973727	100.649468	JKR Daerah Kerian
44	T044	35	4.974034	100.649358	JKR Daerah Kerian
45	T045	35	4.974365	100.649273	JKR Daerah Kerian
46	T046	35	4.974694	100.649204	JKR Daerah Kerian
47	T047	35	4.975042	100.649179	JKR Daerah Kerian
48	T048	35	4.975364	100.649208	JKR Daerah Kerian
49	T049	35	4.975681	100.649217	JKR Daerah Kerian
50	T050	35	4.976010	100.649225	JKR Daerah Kerian
51	T051	35	4.976324	100.649235	JKR Daerah Kerian
52	T052	35	4.976684	100.649246	JKR Daerah Kerian
53	T053	35	4.977072	100.649281	JKR Daerah Kerian
54	T054	35	4.977401	100.649318	JKR Daerah Kerian
55	T055	35	4.977736	100.649367	JKR Daerah Kerian
56	T056	35	4.978065	100.649403	JKR Daerah Kerian
57	T057	35	4.978388	100.649435	JKR Daerah Kerian
58	T058	35	4.978700	100.649500	JKR Daerah Kerian
59	T059	35	4.969958	100.649821	Majlis Daerah Kerian
60	T060	35	4.969849	100.649537	Majlis Daerah Kerian
61	T061	35	4.970784	100.650209	Majlis Daerah Kerian
62	T062	35	4.970757	100.649878	Majlis Daerah Kerian

5.0 SITE PHOTOS - PROPOSED HDD AND NEW MANHOLE (N/A)

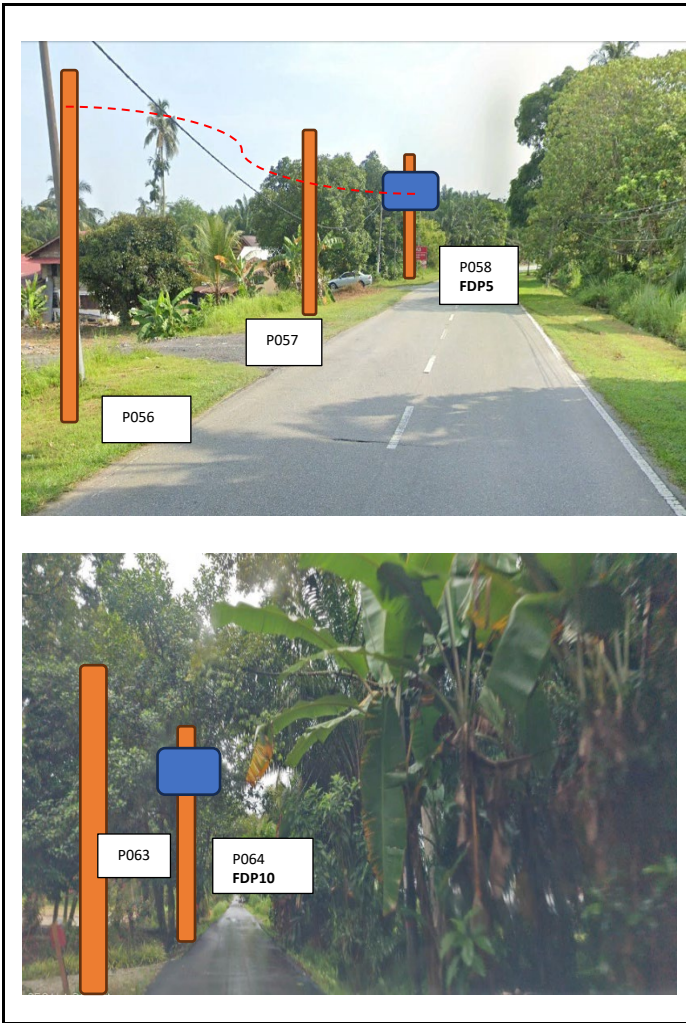
6.0 SITE PHOTOS - PROPOSED NEW POLE











NO	LOCAL COUNCIL / AUTHORITY	REMARK
1	Majlis Daerah Kerian	175m
2	JKR Daerah Kerian	1990m



12C FOC	Installed 1:4 / 1:8 / 1:32 splitter	○	Installed Pole (9m)	1	⋈	Suspension	UB30	New Manhole(JRC7)	2	—	Micro-Trenching (Meter)	MH1	MH NO.
24C FOC	2568M Installed Patch Cord	●	Installed Pole (7.5M)	63	⊕	Tension	C7	FDP Boundary	—	—	Temporary Infra (Meter)	TKS-1	Existing TNB Pole NO.
48C FOC	FDC	□	Installed Pole (6.7M)	1	⊗	Pole Ring	—	HDD (Meter)	30m	⊙	Loop / Coil (Meter)	P001	New Pole NO.
96C FOC	Closure	⊞	Existing TNB Pole	2	⊞	FDP with (1:8) splitter	13	Open Cut (Meter)	—	#	Active Outdoor Cabinet	CL01	Closure NO.
144C FOC	Existing Closure	□	Installed Riser	2	□	Existing Manhole	—	—	—	C01	FDC NO.	DP1	FDP NO.

ACTUAL HOMEPASS :

KEY PLAN:

PROJECT OWNER:



KEMENTERIAN KOMUNIKASI DAN DIGITAL

MAIN CONTRACTOR:



187475-V



SUB-CONTRACTOR:



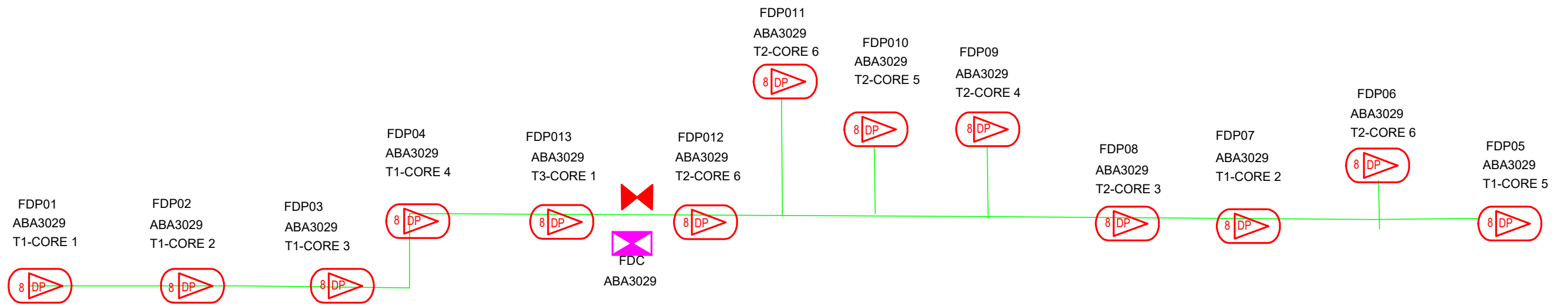
SEGALA DELIMA (M) SDN. BHD.

PROJECT TITLE:
**CONTRACT FOR SURVEY
 TECHNICAL PROPOSAL AND WAYLEAVE
 & PERMITTING APPROVAL-POP 2 PROJECT**

DRAWING TITLE:
**ABA3029
 SEKOLAH KEBANGSAAN GUNONG
 SEMANGGOL**

PROJECT PHASE:

Design By : (Contractor)	Date :
Drawn By : (Contractor)	Scale : 1 : 5000
Checked By : (Contractor)	Job Number :
DRAWING NUMBER :	Sheet : /
	Size :



LEGEND

12C FOC	Installed 1:4 splitter in FDC	9m	Installed Pole (9m)	C7	New Manhole(JRC7)	TS / TB	Tension Small / Tension Big	MH1	MH NO.
24C FOC	FDP with (1:8) splitter	9m	Installed Riser	#	House Number	Existing Manhole	TKS-1	Existing TNB Pole NO.	
48C FOC	Closure	SB	Suspension Big	●	Existing TNB Pole	C01	Closure NO.	P001	New Pole NO.
96C FOC	New Manhole (PIT)	SS	Suspension Small	○	LOOP	FDP1	FDP NO.	CLO	CLOSURE
144C FOC	Installed Pole (7.5M)	FDC	FDC	—	FDP Boundary	FDC	FDC NO.	DP1	FDP

KEY PLAN :	PROJECT OWNER : 	MAIN CONTRACTOR : PRIVASAT	SUB-CONTRACTOR : 	PROJECT TITLE: POINT OF PRESENCE 2 (POP 2)	DRAWING TITLE: SLD ABA3029 SEKOLAH KEBANGSAAN GUNONG SEMANGGOL	Design By : MOHAMAD HELMI Date : Drawn By : MOHAMAD HELMI Scale : N.T.S Checked By : NASROLHAIZAN Job Number : JOB_NUMBER	DRAWING NUMBER : DRAWING_NUMBER Sheet : SHEET	Size : A3
					PROJECT PHASE: PROJECT PHASE			