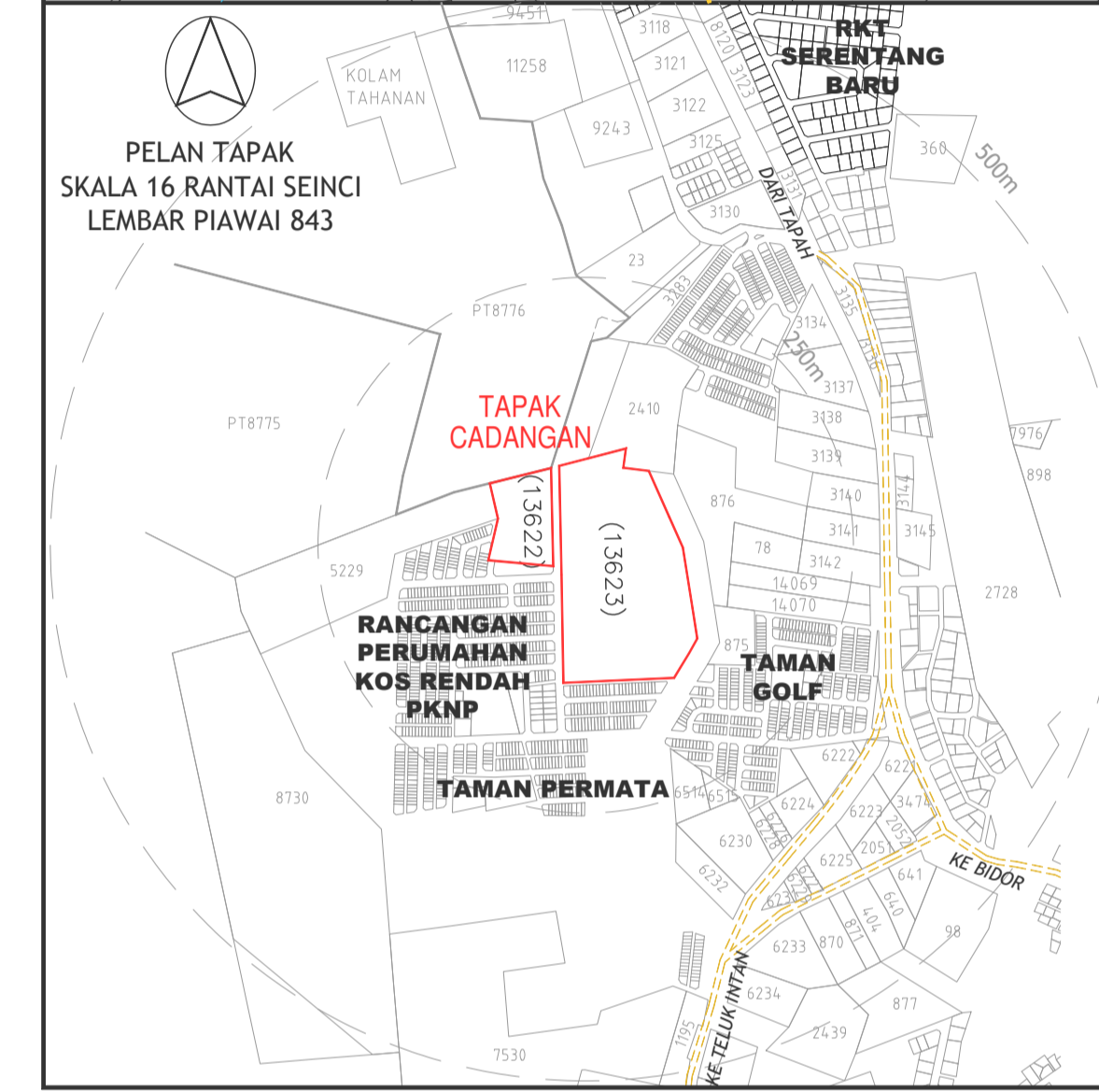
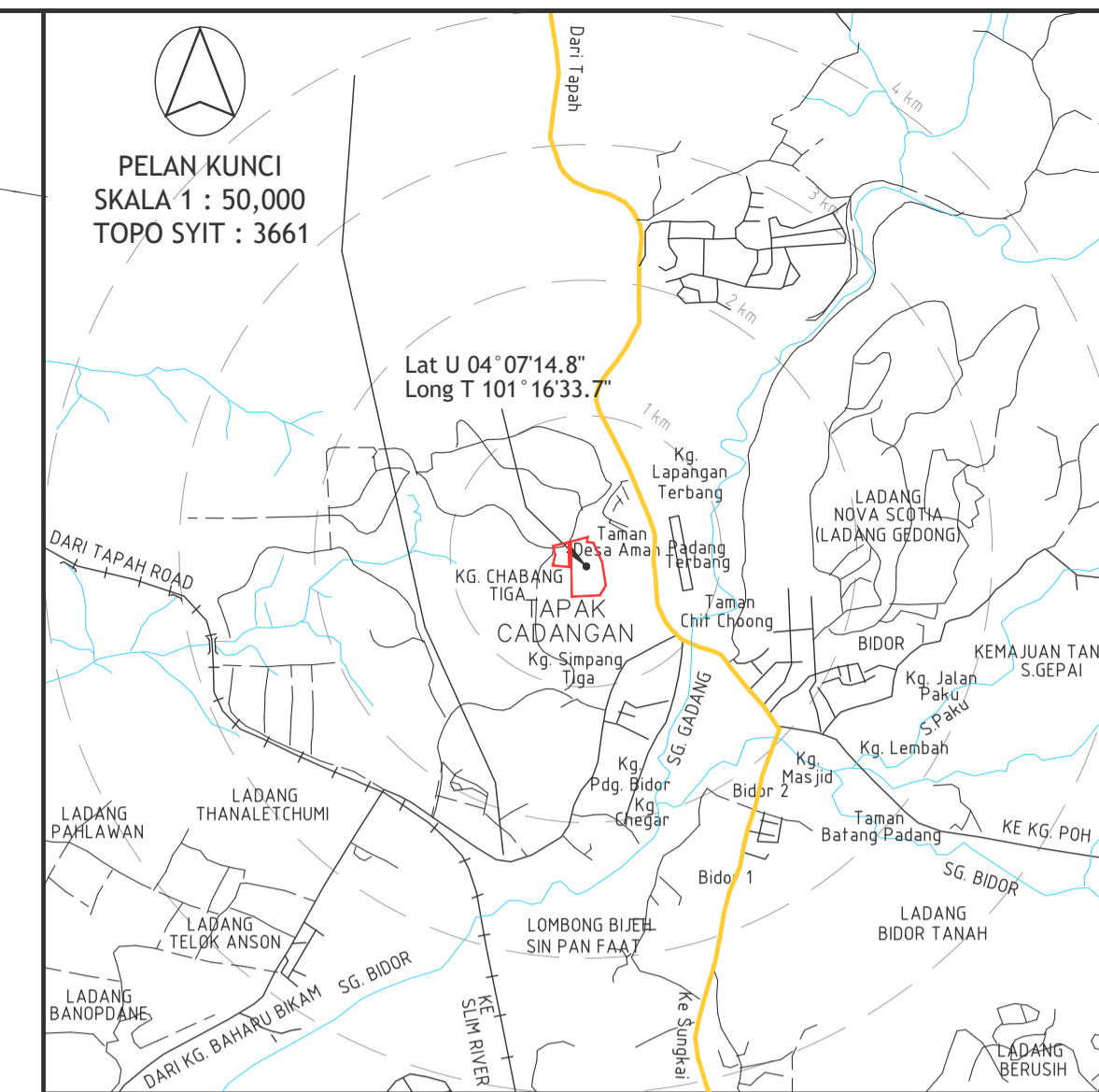


**PELAN TANGKI AIR**

R.U.J. IBU PEJABAT LAP: LAP 4/5-335  
R.U.J. WILAYAHSELATAN LAP: LAP.WS.9/3/28 sk 340

KEGUNAAN L.A.P.:



PELAN KUNCI  
SKALA 1 : 50,000  
TOPO SYIT : 3661

PELAN TAPAK  
SKALA 16 RANTAI SEINCI  
LEMBAR PIAWAI 843

Date	Ref.	LAP Comments
25/11/2024	A	LAP Comments

Developer's Signature :  
KERIS ENGINEERING & COMMUNICATIONS SDN. BHD.  
(No. Syarikat : 271458-A)

NAME : DATO' LEE SENG HEE  
I/C NO. : 550616-08-5233  
TEL : 05-281 1222 FAX : 05-255 7772  
ADD. : TKB TOWER, TIMES SQUARE IPOH  
A-G-1, JALAN RAJA DR. NAZRIN SHAH,  
30250, IPOH, PERAK DARUL RIDZUAN.

Project Title :  
CADANGAN PEMBINAAN TANGKI SEDUT DAN TANGKI TERNAIK BAGI CADANGAN SKIM PERUMAHAN KOMUNITI BERPENGAWAL (GUARDED NEIGHBOURHOOD) DI ATAS LOT 13622 (PN 278265) DAN LOT 13623 (PN 278267) SELUAS 26.75 EKAR (10.825 HEKTAR) MUKIM BIDOR, DAERAH BATANG PADANG, PERAK DARUL RIDZUAN.

UNTUK ETUJUAN  
KERIS ENGINEERING & COMMUNICATIONS SDN BHD

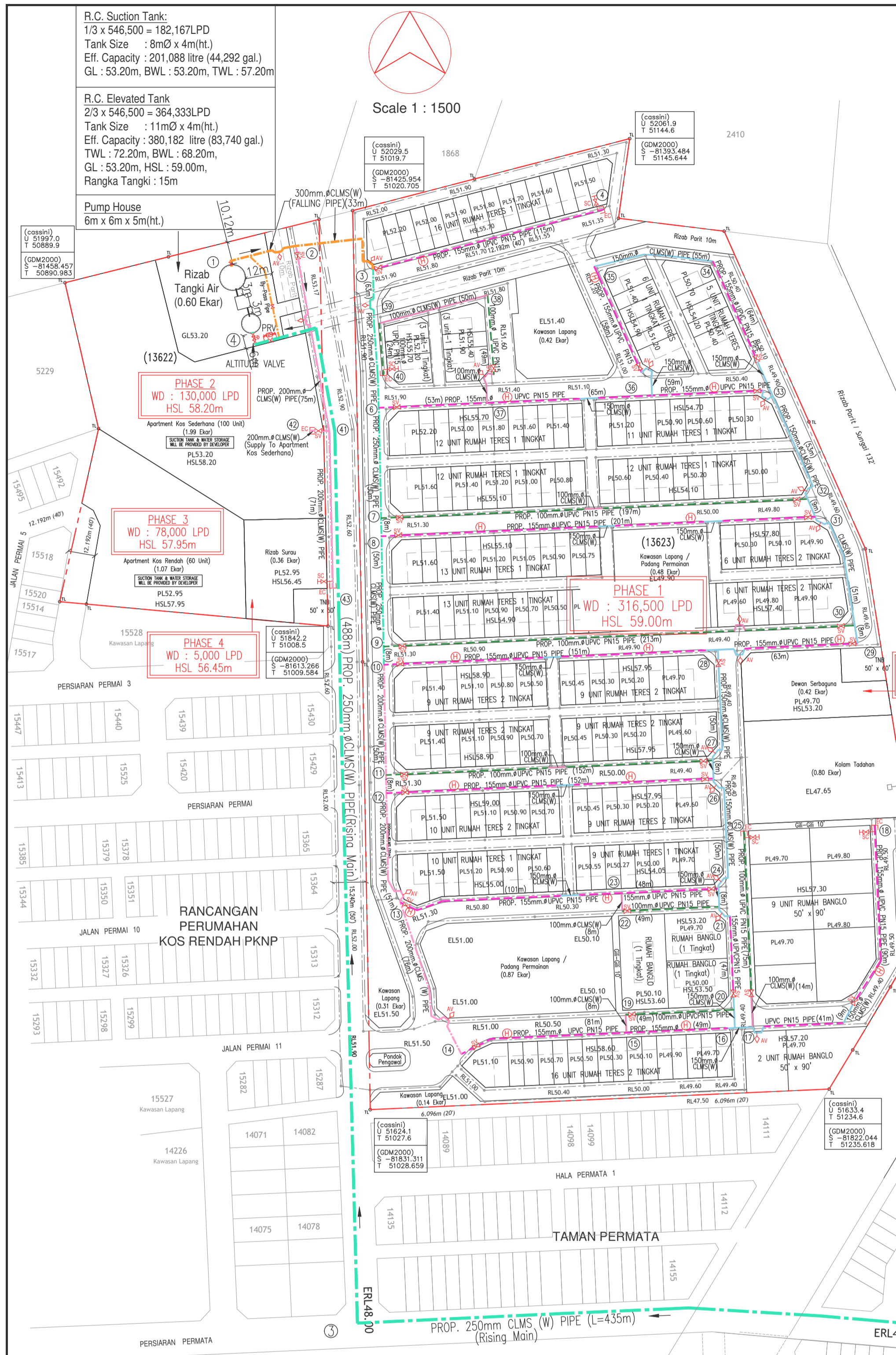
Sub Title :  
KEY PLAN  
LOCATION PLAN  
SITE PLAN

Engineer's Signature :

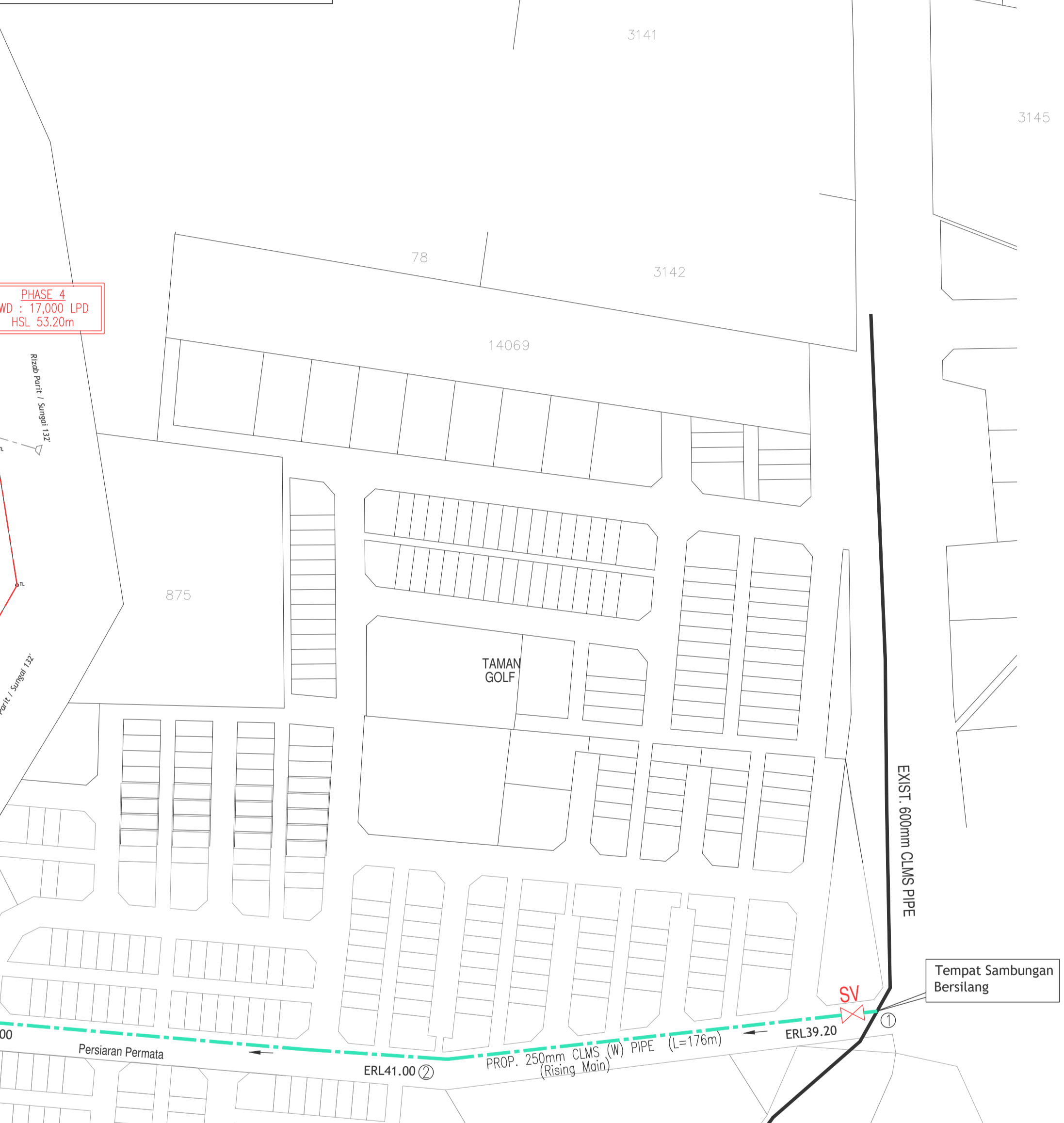
I hereby certify that these details are in accordance with the water supply enactment and bye laws and accept full responsibility for the design and supervision of the works.

**PERUNDING MANH SDN BHD** (1332455-W)  
CONSULTING ENGINEERS / JURUTERA BERHAD  
No. 10, Jalan Chew Boon Jui,  
30250 Ipoh, Perak Darul Ridzuan.  
Tel / Fax : 05-210 0818  
E-mail: manh.pe@yahoo.com  
SST: A10-2001-32100003

DESIGNED BY	DATE	SCALE
Wai Fun	25-11-2024	1 : 1500
CHECKED BY		
Ir. Hui WT		
DRAWING NO:	KEC/2311/HS/WT - 1A	



- LEGEND:**
- EXIST. MAIN PIPE
  - PROP 250mm DIA CLMS (W) PIPE (Rising Main)
  - PROP 300mm DIA CLMS (W) PIPE (Falling Main)
  - PROP 200mm DIA CLMS (W) PIPE
  - PROP 150mm DIA CLMS (W) PIPE
  - PROP 100mm DIA CLMS (W) PIPE
  - PROP 155mm DIA UPVC PN 15 PIPE
  - PROP 100mm DIA UPVC PN 15 PIPE
- ⊕ = DOUBLE OUTLET HYDRANT
  - AV = AIR VALVE
  - SCV = SCOUR VALVE
  - SV = SLUICE VALVE



**KEHENDAK - KEHENDAK JABATAN BOMBA MALAYSIA**

- Mengadakan ..... buah pili bomba jenis bertiang dengan pengeluaran dua seperti yang ditunjukkan didalam pelan.
- Pili bomba hendaklah mampu mengeluarkan air tidak kurang dari 1365 liter seminit.
- Jarak injap dengan penutupnya hendaklah tidak melebihi 460mm dalam.
- Pilih bomba hendaklah diwarnakan dengan cat berwarna kuning yang bersilau.
- Sistem pili bomba hendaklah diuji dan disahkan oleh jabatan bomba setelah siap pemasangannya.

NOTA:  
KESEMUA PAIP HENDAKLAH DIPASANG DIDALAM LENGKONG RIZAB JALAN KELULUSAN DIKEHADAKI UNTUK PEMASANG PAIP DI SEPASANG/DI LINGKUNGAN RIZAB KERAJAAN SEPERTI RIZAB JALAN, RIZAB JABATAN PENGIRAN & SALIRAN RIZAB KERETAPI TANAH MELAYU DAN SEBAGIANYA DARI JABATAN YANG BERKENAAN SEBELUM KERJA MEMASANG PAIP DIJALANKAN.

SATU 'TAPPING POINT' DIBENARKAN UNTUK PEMASANGAN DUA METER DAN ATAS UNTUK RUMAH KEDAI. PAIP KOMUNIKASI UNTUK RUMAH KEDAI ADALAH SEPERTI BERIKUT:-

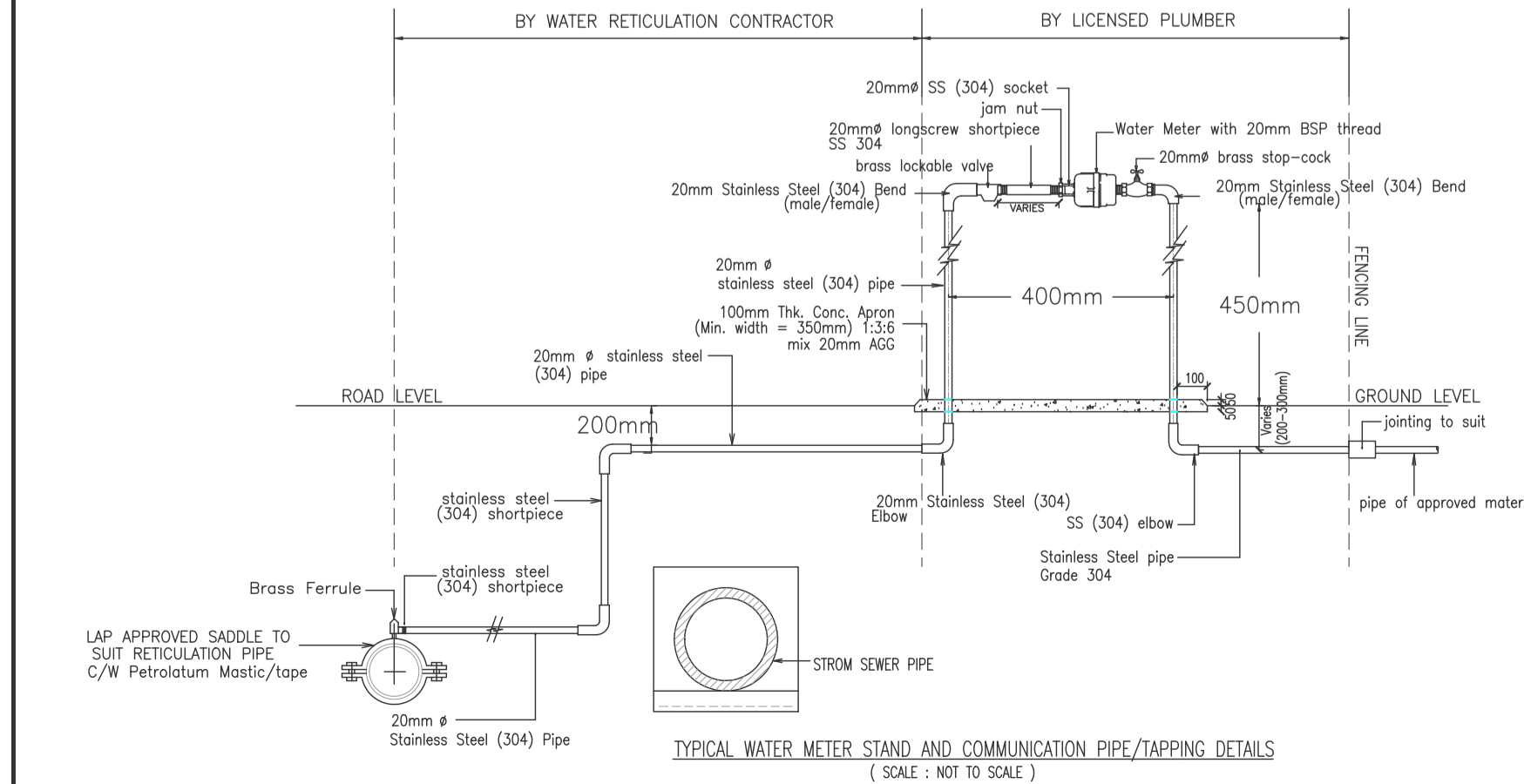
- a) Dua Tingkat - 1 1/4" dia
- b) Tiga Tingkat - 1 1/2" dia
- c) Empat Tingkat - 2" dia

NOTA:  
PIHAK PEMAJU DAN PIHAK JURUTERA PERUNDING M&E DIKEHADAKI MEMASTIKAN BAHAWA TIADA STRUKTUR BANGUNAN KEKAL ATAU SEMENTARA SEPERTI 'LIN FEEDER PILLAR' ATAU 'TELECOM FEEDER PILLAR' DIDIRIKAN DI ATAS SALURAN PAIP AIR.

**ANGGARAN PERMINTAAN AIR HARIAN**

FASA	JENIS BANGUNAN	BIL. UNIT	KEPERLUAN AIR (LPD)	JUMLAH KEPERLUAN AIR (LPD)	TARIKH SIAP
FASA 1	Rumah Teres 1 Tingkat (22'x65')	125	1,300	162,500	Tahun 2024
	Rumah Teres 2 Tingkat (22'x65')	84	1,500	126,000	
FASA 2	Rumah Banglo	14	2,000	28,000	Tahun 2026
FASA 3	Apartment Kos Sederhana	100	1,300	130,000	
FASA 4	Apartment Kos Rendah	60	1,300	78,000	Tahun 2027
FASA 4 (P.M.D.)	Dewan Serbaguna (0.42 ekar) = 1,700m <sup>2</sup>	1	1,000 / 100m <sup>2</sup>	17,000	P.M.D.
	Rezab Surau (0.36 ekar) Katakatan 100 orang diambilkira	1	50 / orang	5,000	

**JUMLAH KEPERLUAN AIR SEHARI = 546,500 litres/hari**



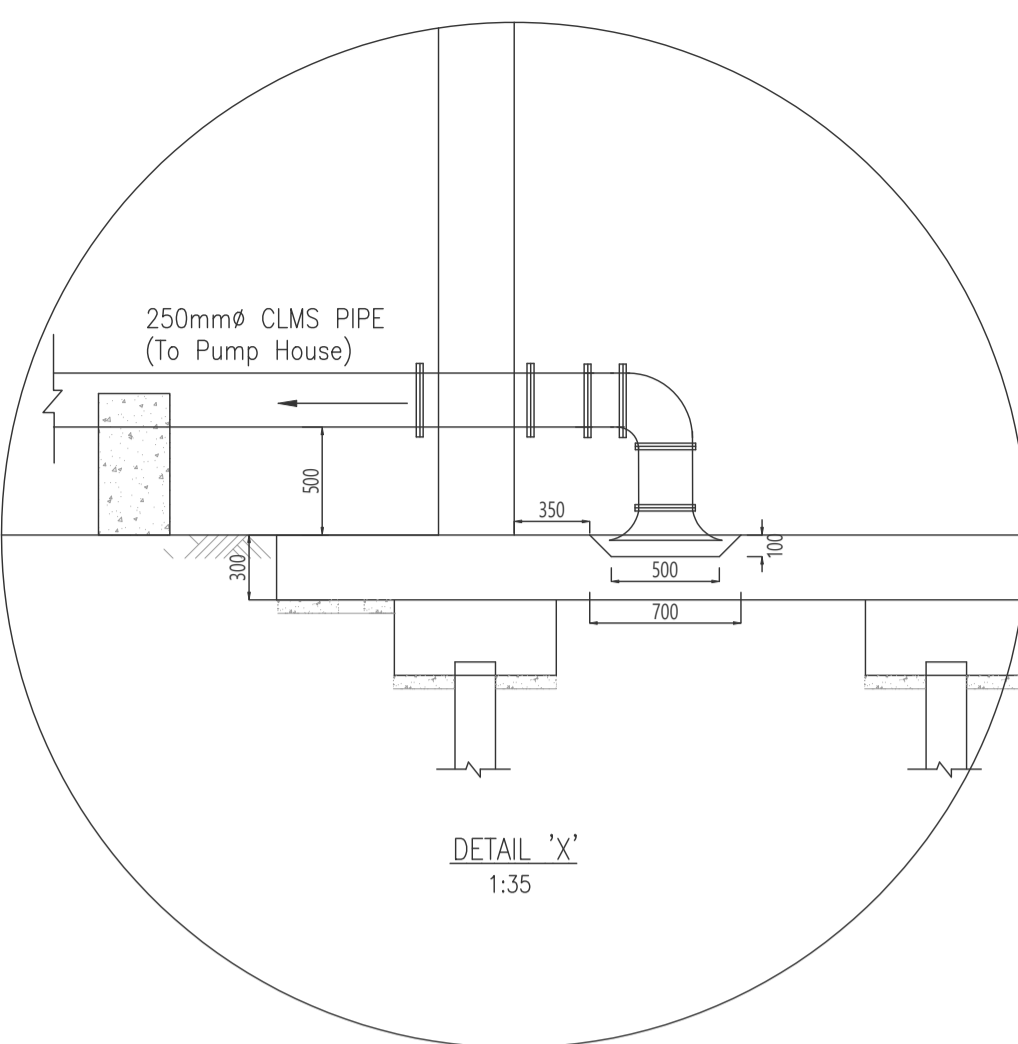
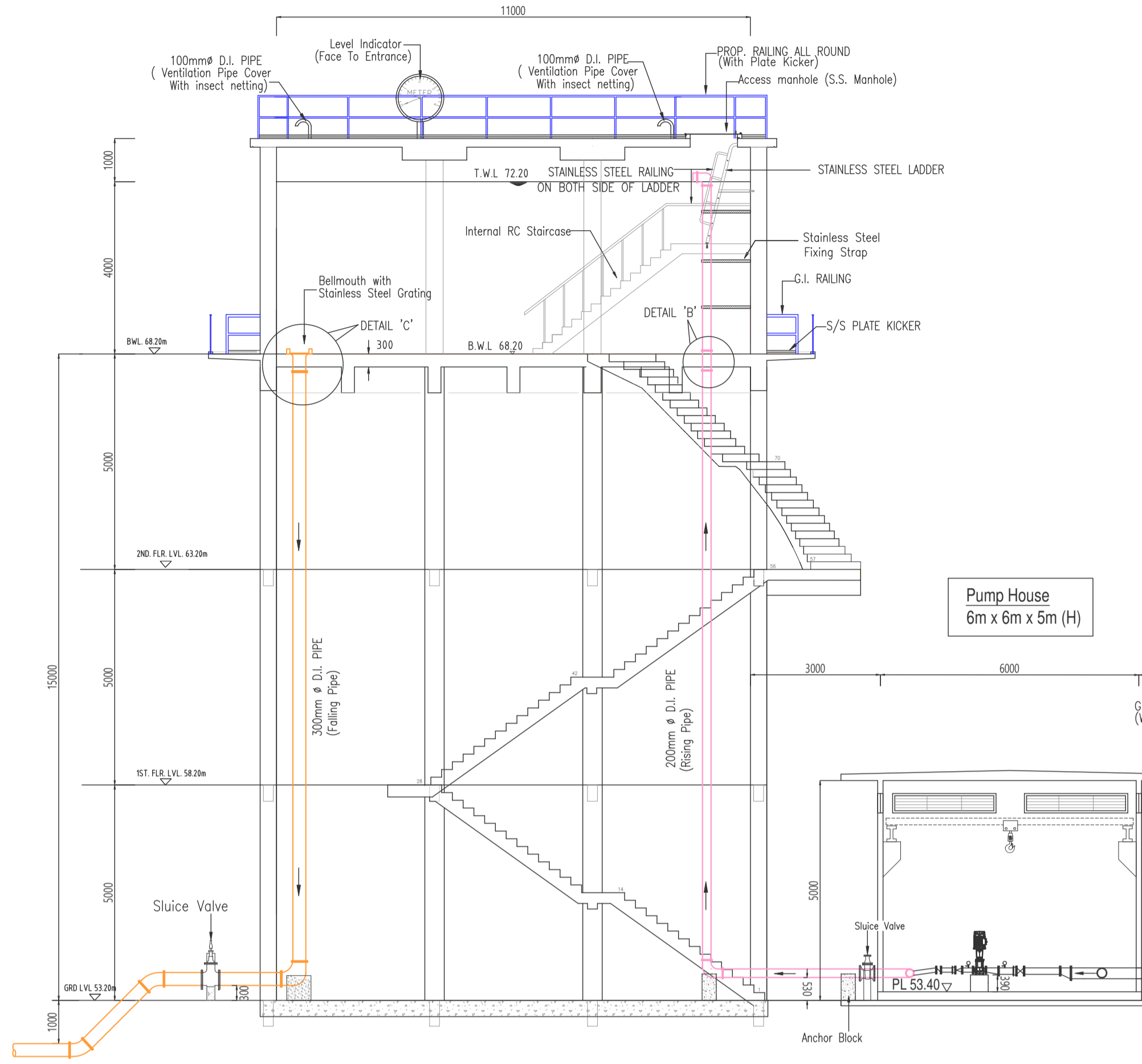


# PELAN TANGKI AIR

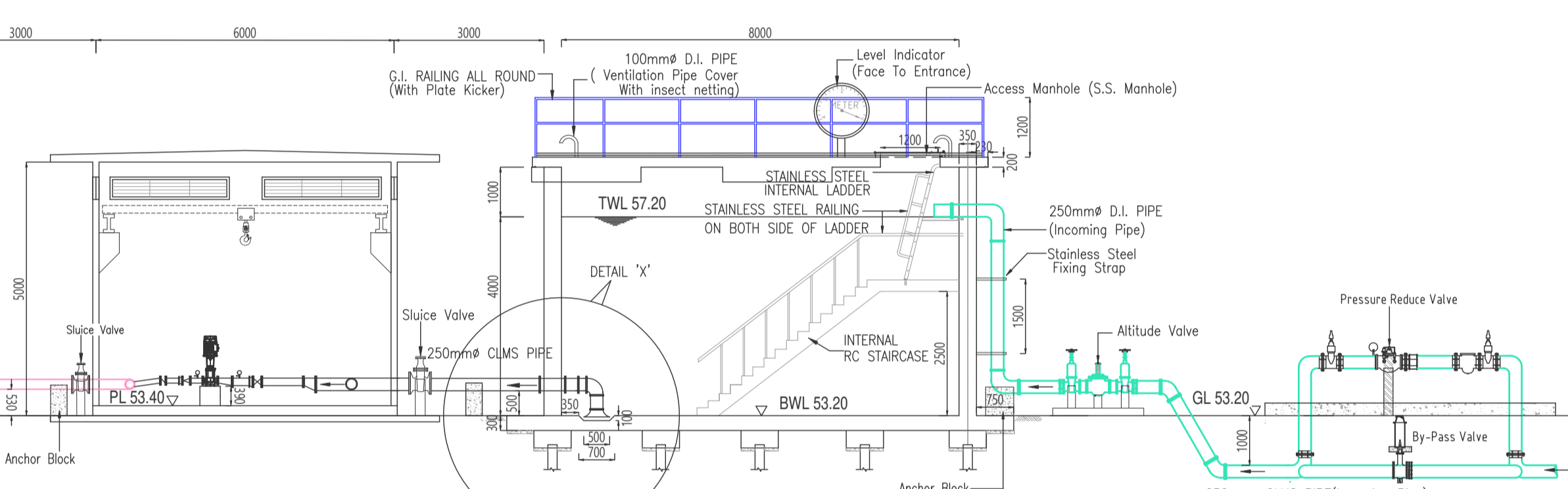
RUJ. IBU PEJABAT LAP: LAP 4/5-335  
 RUJ. WILAYAHSELATAN LAP: LAP.WS.9/3/28 sk 340

KEGUNAAN L.A.P.:

**R.C. Elevated Tank**  
 Size : 11mØ x 4m (H)  
 Capacity : 380,182 Litre (83,740 gal.)

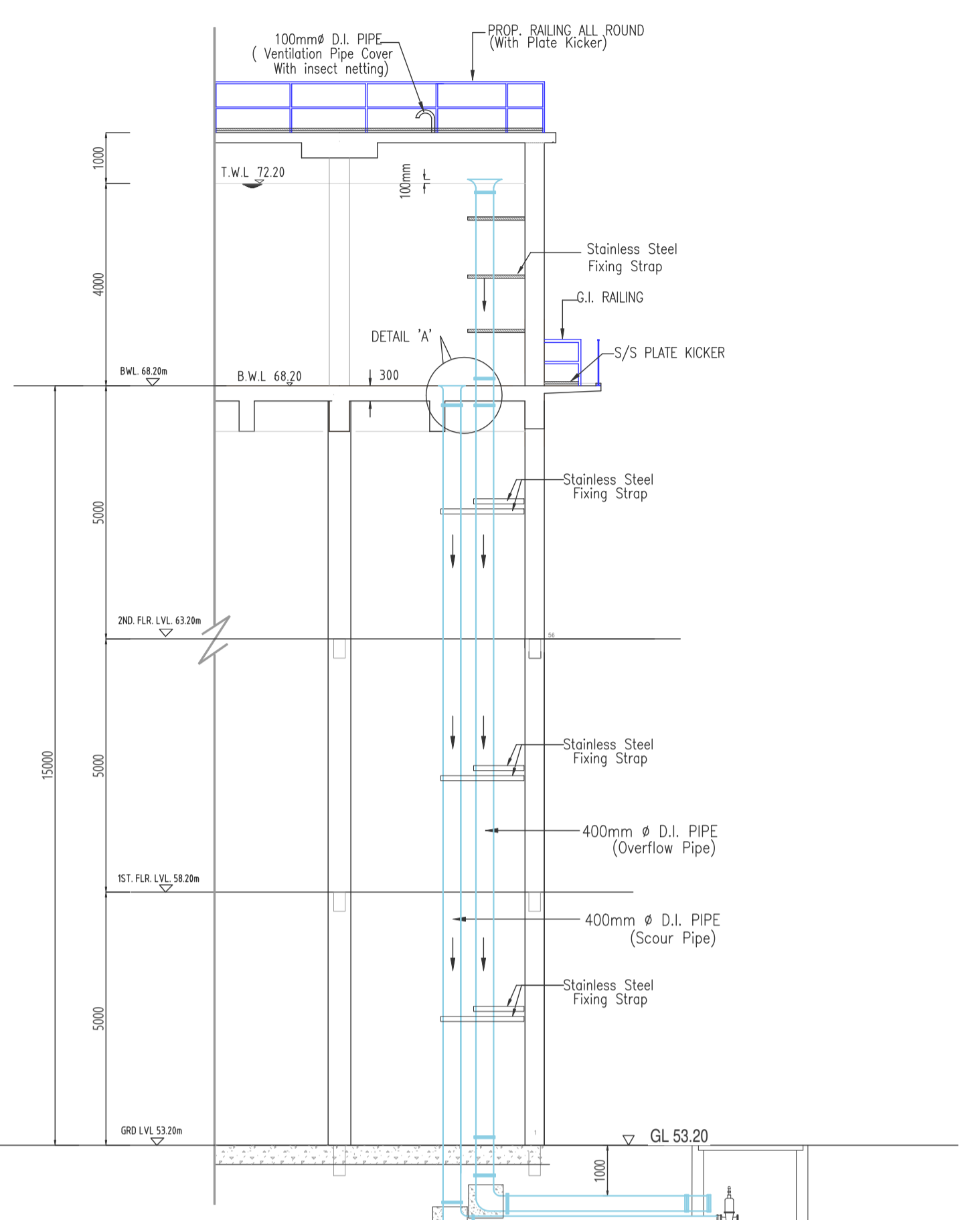


**R.C. Suction Tank**  
 Size : 8mØ x 4m (H)  
 Capacity : 201,088 Litre (44,292 gal.)



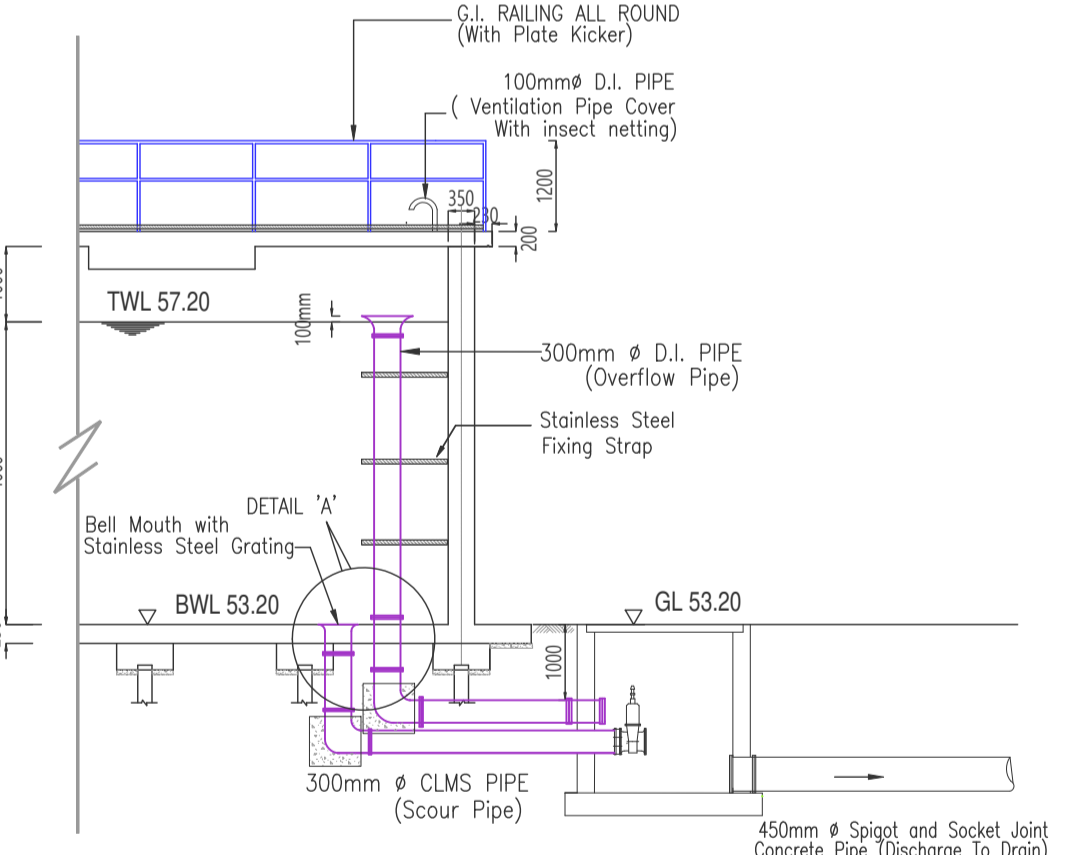
SECTION 1-1  
 SCALE 1:100

**R.C. Elevated Tank**  
 Size : 11mØ x 4m (H)  
 Capacity : 380,182 Litre (83,740 gal.)

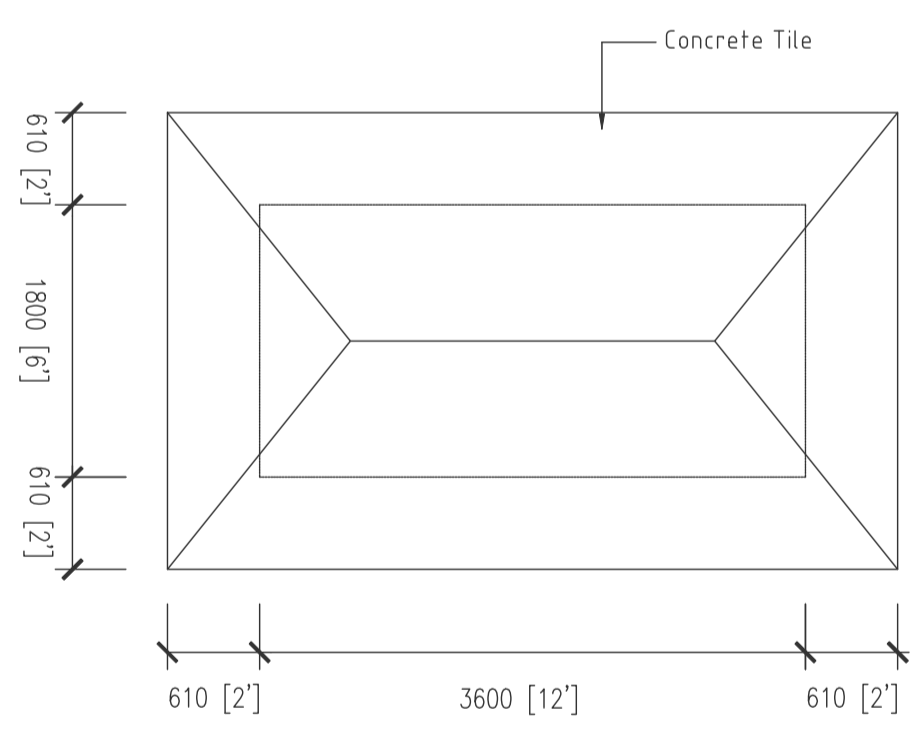


SECTION AT OVERFLOW & SCOUR PIPE (ELEVATED TANK)  
 SCALE 1:100

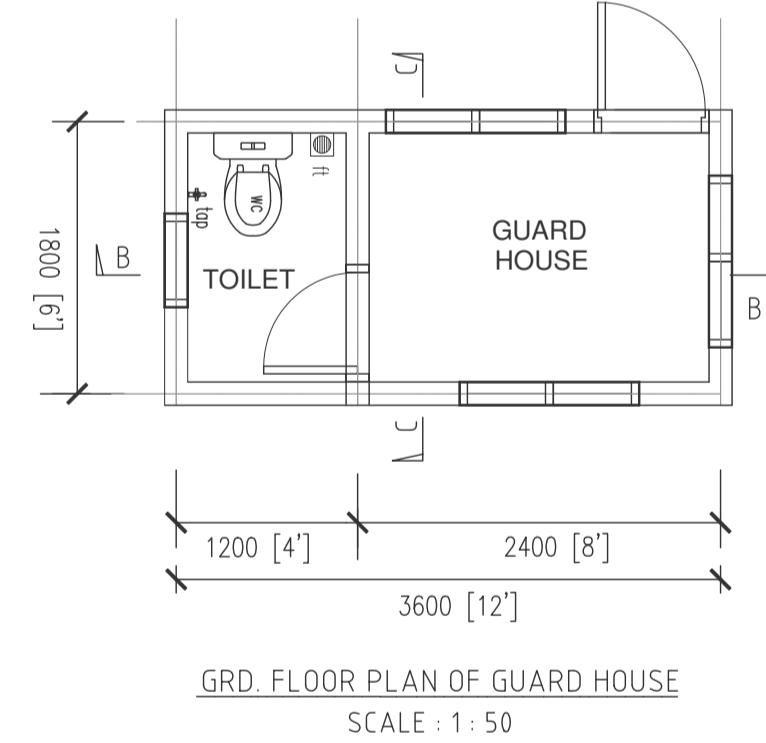
**R.C. Suction Tank**  
 Size : 8mØ x 4m (H)  
 Capacity : 201,088 Litre (44,292 gal.)



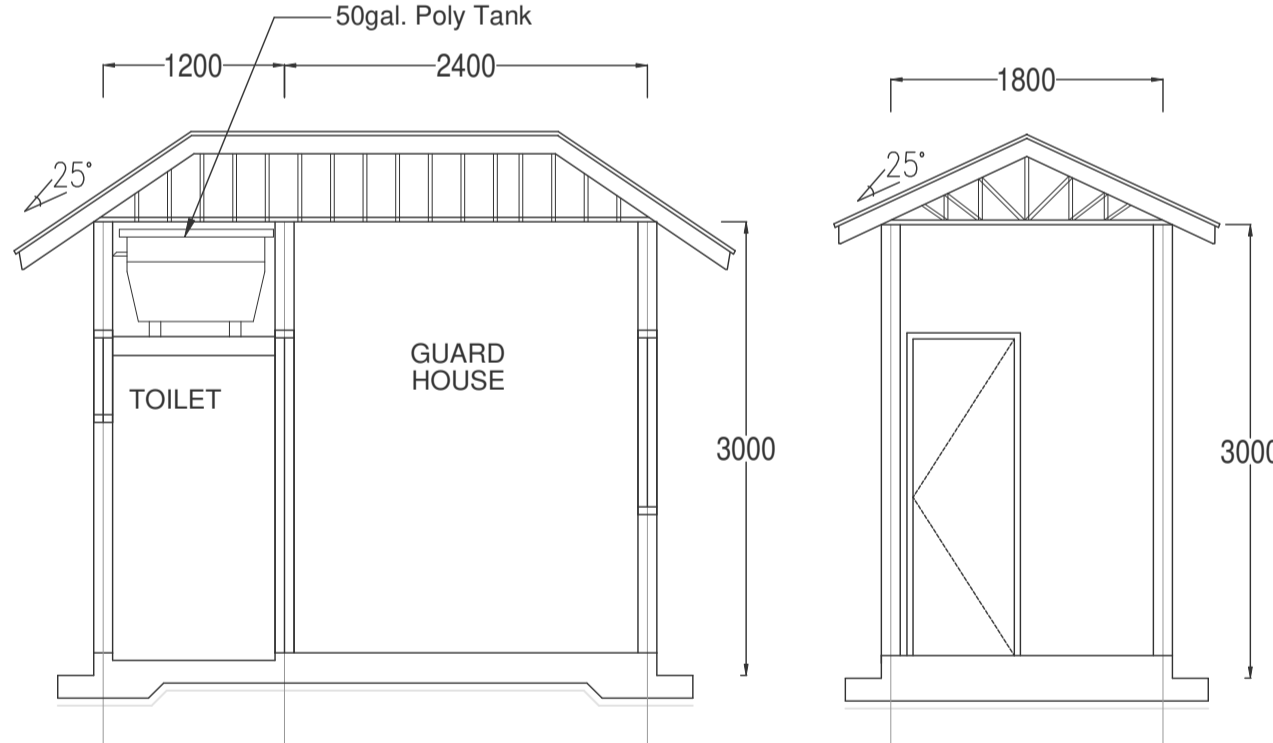
SECTION AT OVERFLOW & SCOUR PIPE (SUCTION TANK)  
 SCALE 1:100



ROOF PLAN OF GUARD HOUSE  
 SCALE 1:50

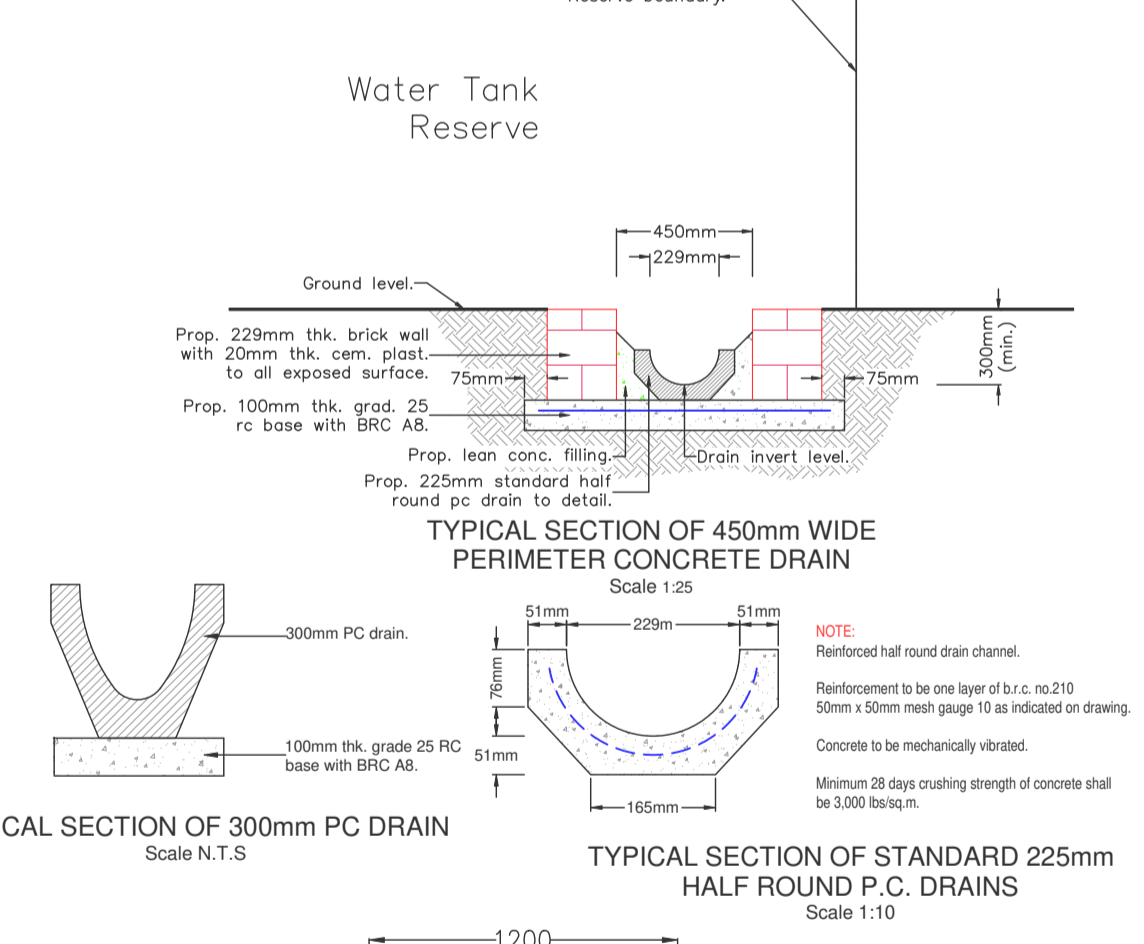


GRD. FLOOR PLAN OF GUARD HOUSE  
 SCALE 1:50

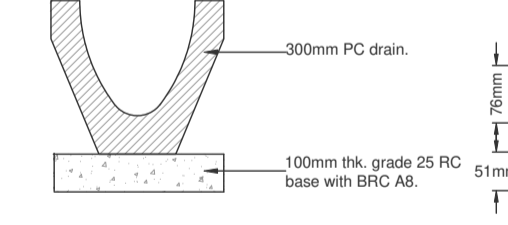


Section B-B  
 SCALE 1:50

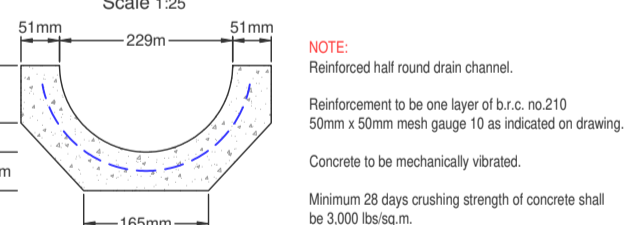
Section C-C  
 SCALE 1:50



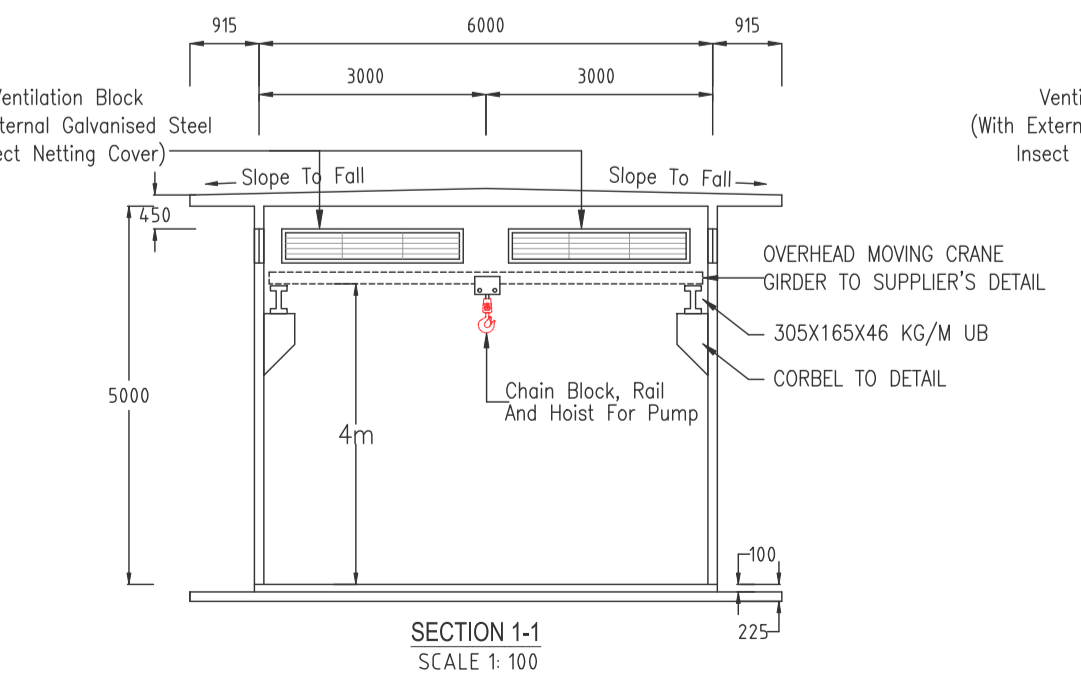
TYPICAL SECTION OF 450mm WIDE PERIMETER CONCRETE DRAIN  
 Scale 1:50



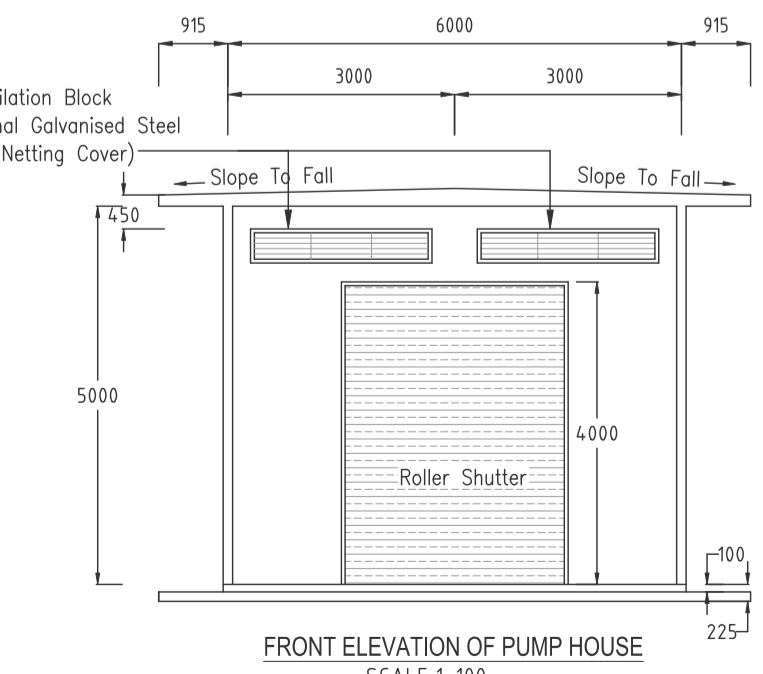
TYPICAL SECTION OF 300mm PC DRAIN  
 Scale N.T.S



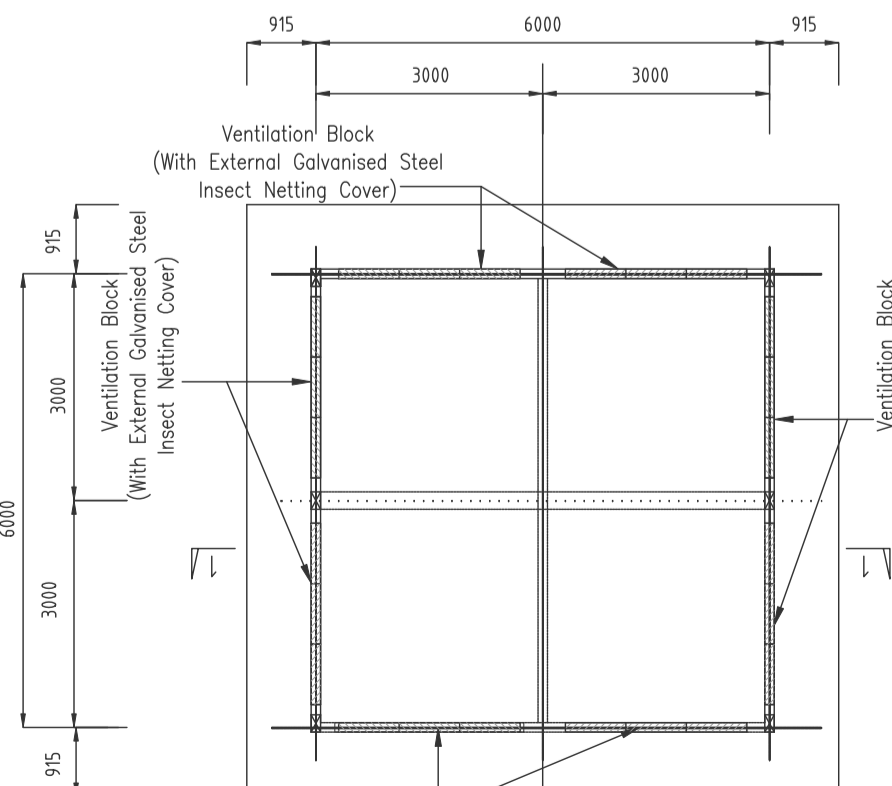
TYPICAL SECTION OF STANDARD 225mm HALF ROUND P.C. DRAINS  
 Scale 1:10



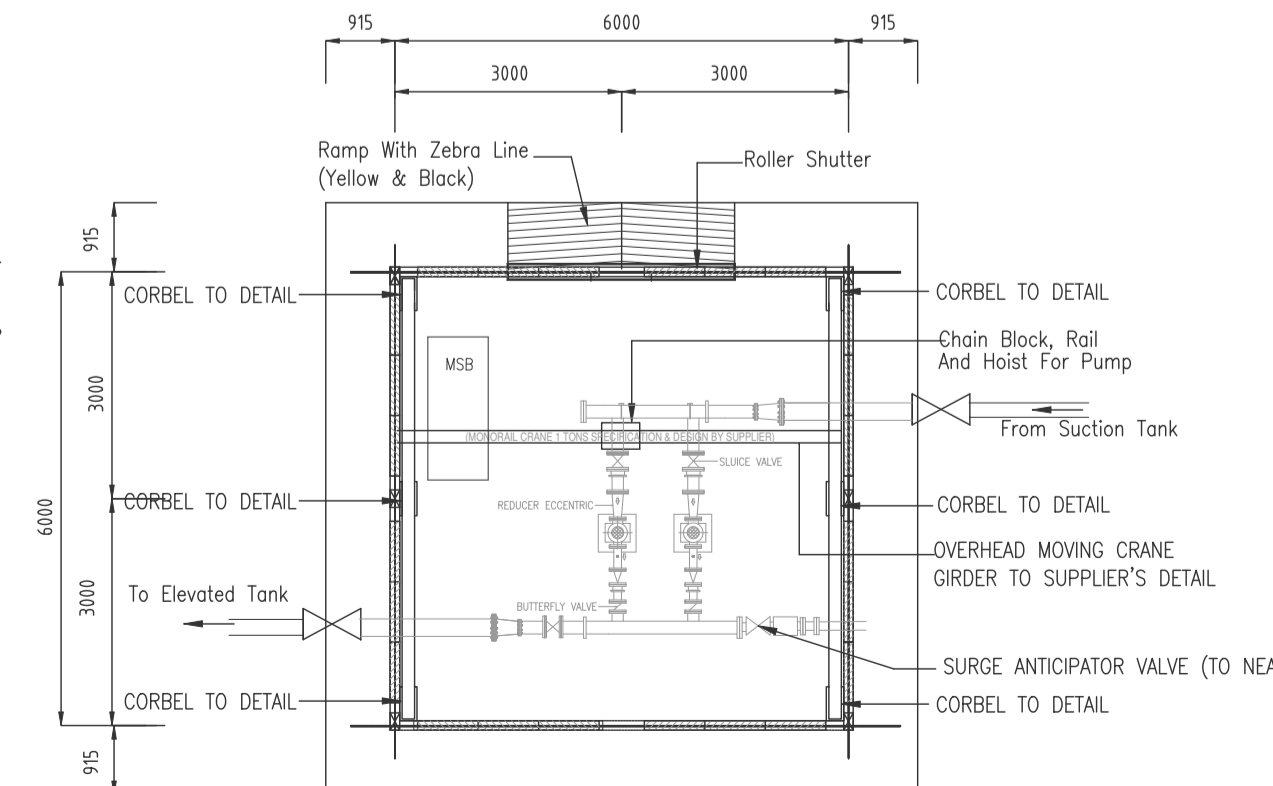
SECTION 1-1  
 SCALE 1:100



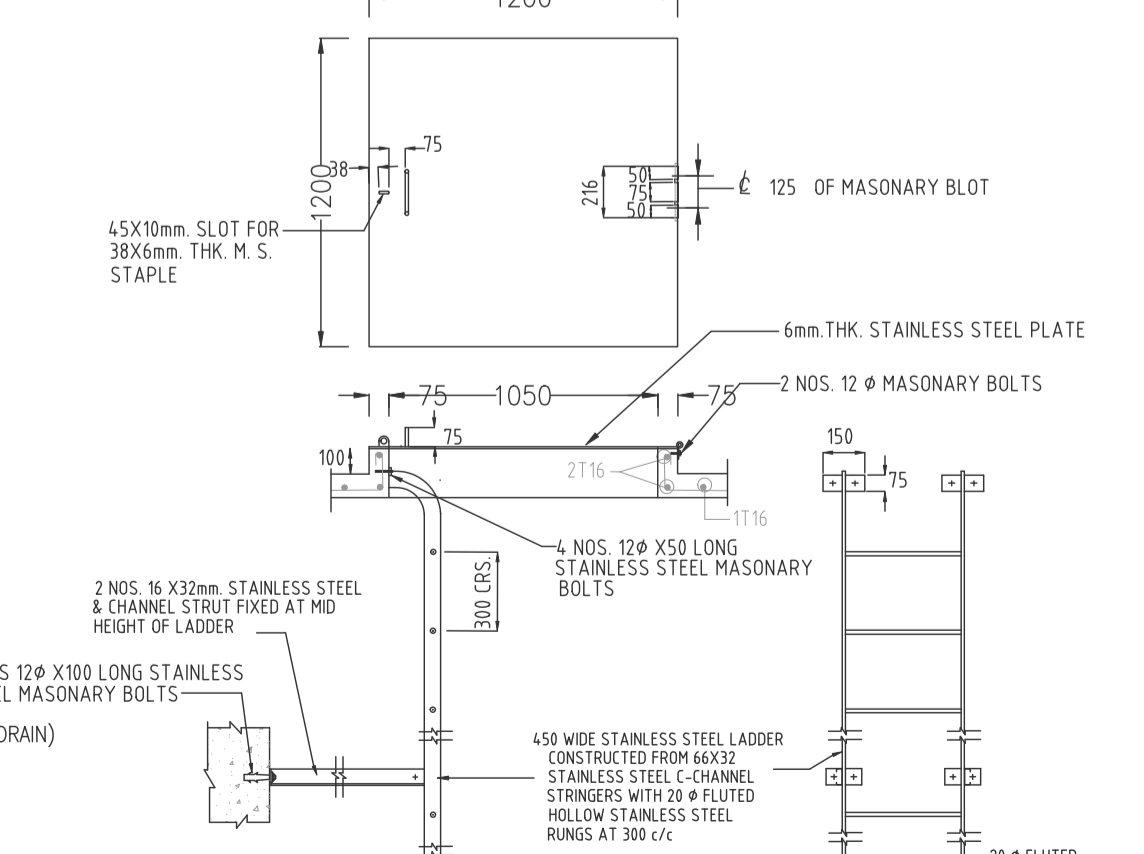
FRONT ELEVATION OF PUMP HOUSE  
 SCALE 1:100



ROOF PLAN OF PUMP HOUSE  
 SCALE 1:100



FLOOR PLAN OF PUMP HOUSE  
 SCALE 1:100



DETAIL OF ACCESS MANHOLE AND INTERNAL LADDER

NAME : DATO' LEE SENG HEE  
 I/C NO. : 550616-08-5233  
 TEL : 05-281 1222  
 ADD : TKB TOWER, TIMES SQUARE IPOH  
 A-G-1, JALAN RAJA DR. NAZRIN SHAH,  
 30250, IPOH, PERAK DARUL RIDZUAN.

Project Title :  
 CADANGAN PEMBINAAN TANGKI SEDUT DAN TANGKI TERNAIK BAGI CADANGAN SKIM PERUMAHAN KOMUNITI BERPENGAWAL (GUARDED NEIGHBOURHOOD) DI ATAS LOT 13622 (PN 278265) DAN LOT 13623 (PN 278267) SELUAS 26.75 EKAR (10.825 HEKTAR) MUKIM BIDOR, DAERAH BATANG PADANG, PERAK DARUL RIDZUAN.

UNTUK TETUAN  
 KERIS ENGINEERING & COMMUNICATIONS SDN BHD

Sub Title :  
 SECTION 1-1  
 SECTION AT OVERFLOW & SCOUR PIPE  
 STANDARD DETAILS OF PUMP HOUSE  
 STANDARD DETAILS OF GUARD HOUSE

Engineer's Signature :

I hereby certify that these details are in accordance with the water supply enactment and bye laws and accept full responsibility for the design and supervision of the works.

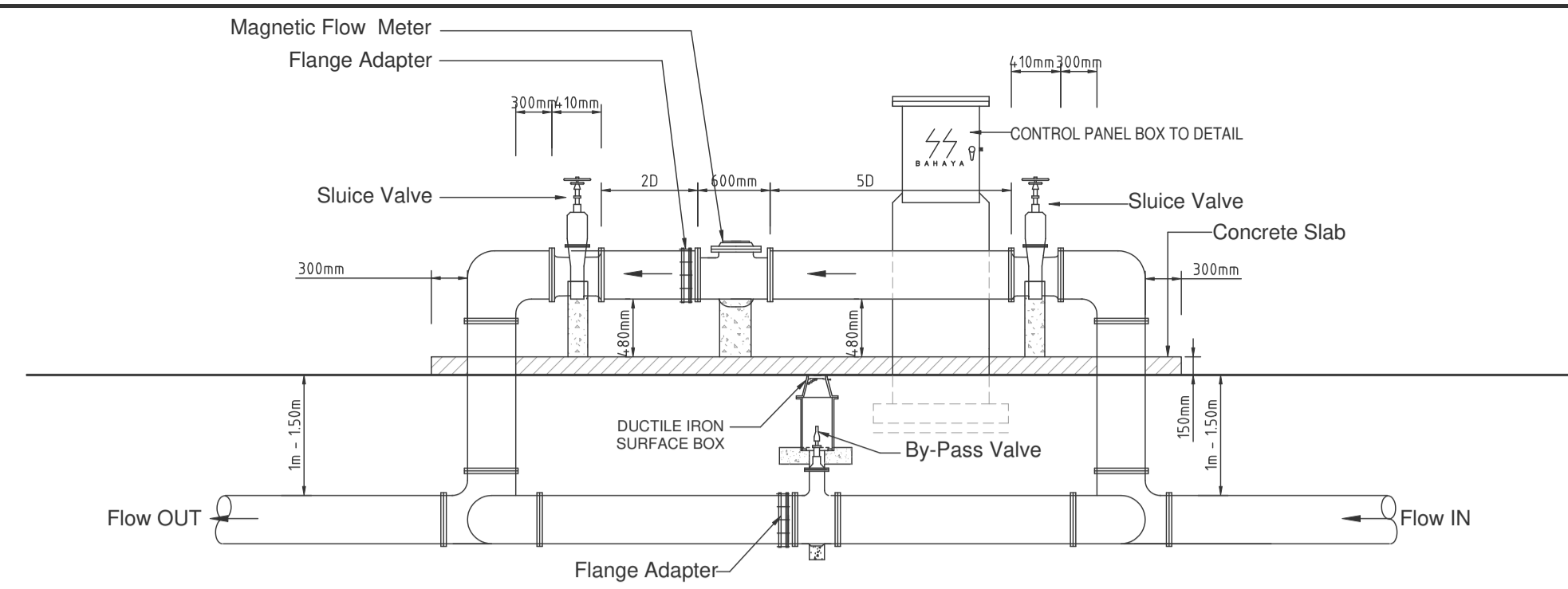
**PERUNDING MANH SDN BHD** (1532455-W)  
 CONSULTING ENGINEERS / JURUTERA PERUNDING  
 No. 10, Jalan Chew Boon Juan  
 30250 Ipoh, Perak Darul Ridzuan.  
 Tel / Fax : 05-210 0818  
 E-mail: manh.sp@yahoo.com  
 SST: A10-2001-32100003

DESIGNED BY	DATE	SCALE
Wai Fun	25-11-2024	AS SHOWN
DRAWN BY		
Ir. Hui WT		
CHECKED BY		
DRAWING NO.	KEC/2311/HS/WT - 3A	

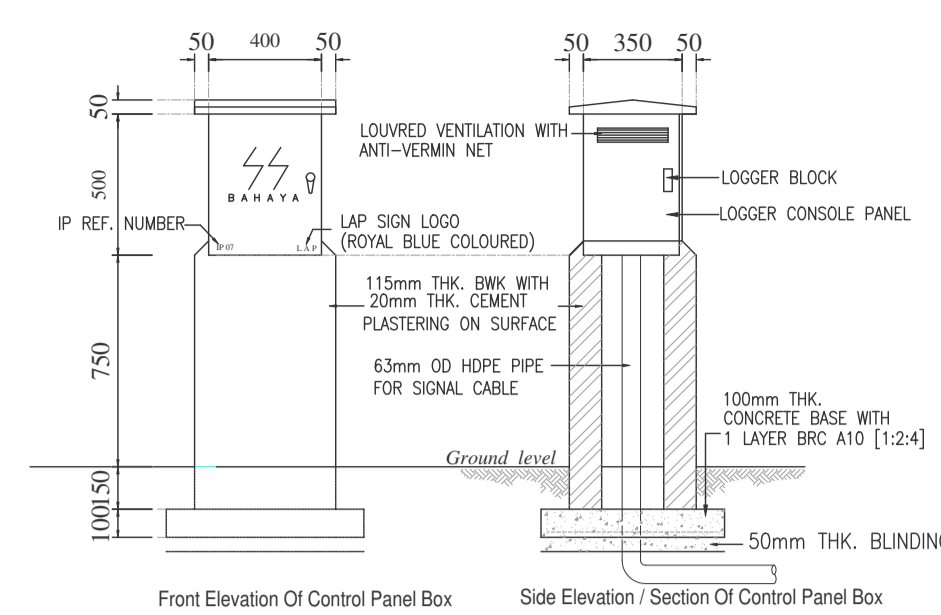
# PELAN TANGKI AIR

RUJ. IBU PEJABAT LAP: LAP 4/5-335  
 RUJ. WILAYAHSELATAN LAP: LAP.WS.9/3/28 sk 340

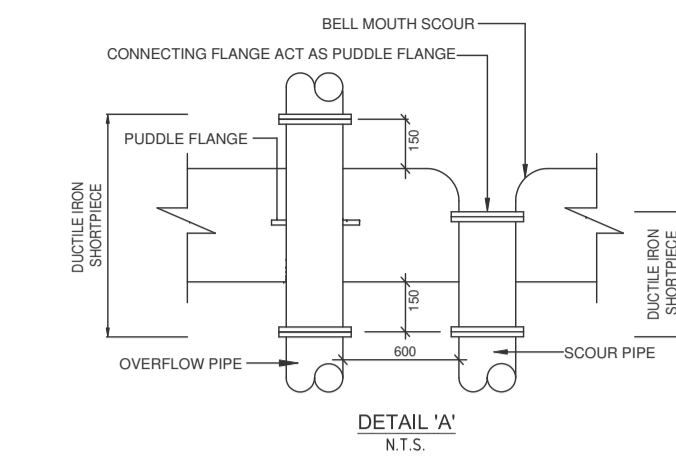
KEGUNAAN L.A.P. :



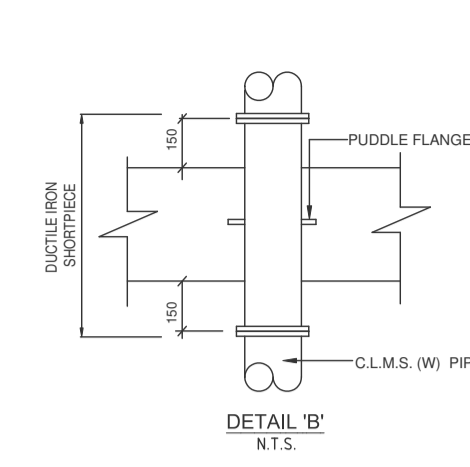
SECTION A-A



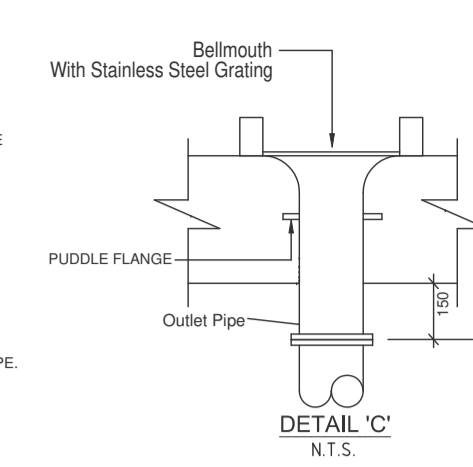
PANEL BOX (NOT TO SCALE)



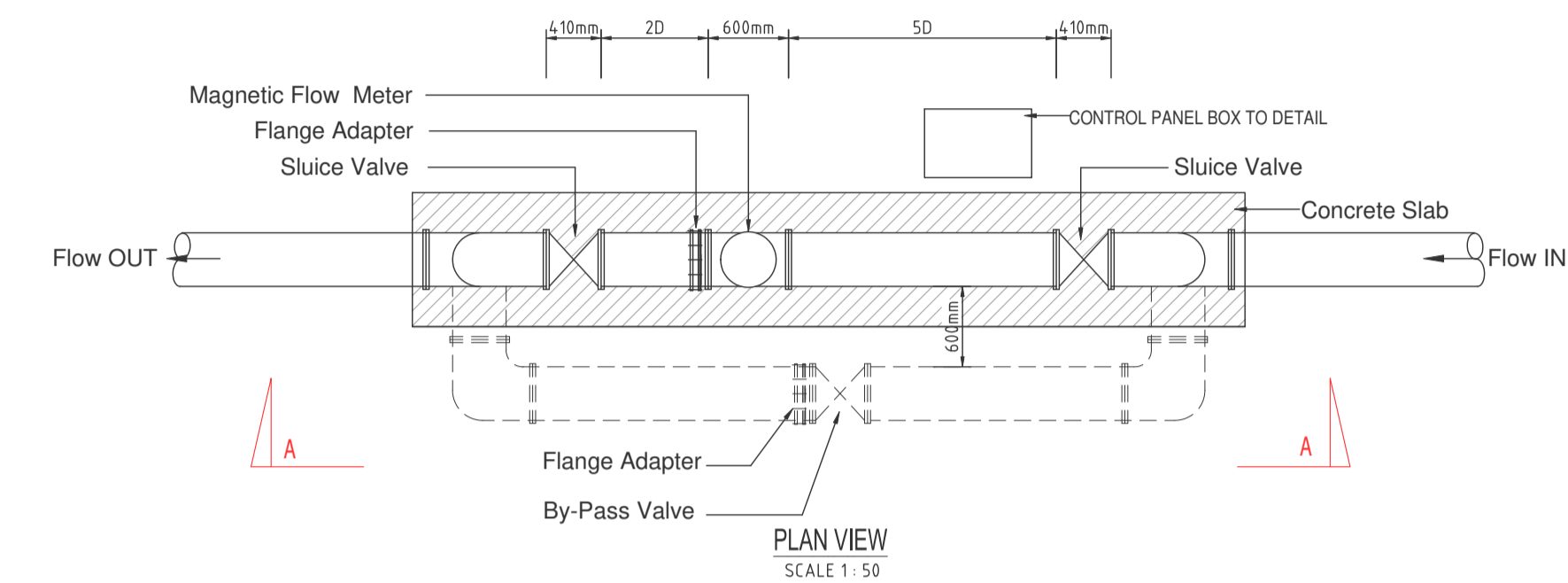
DETAIL 'A' N.T.S.



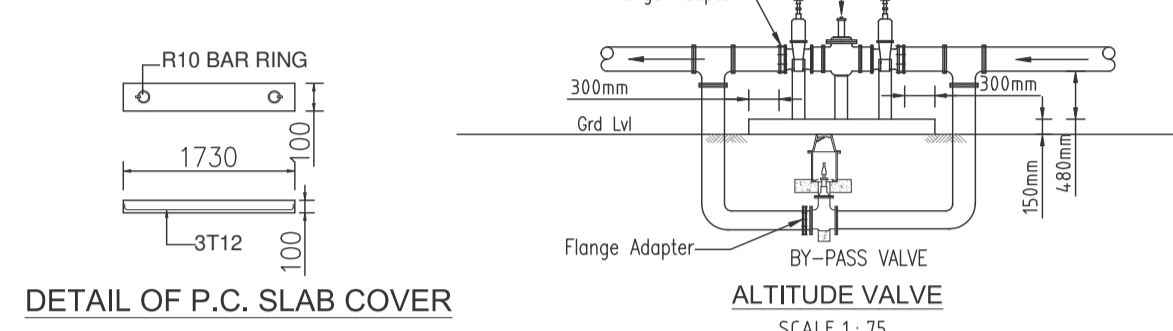
DETAIL 'B' N.T.S.



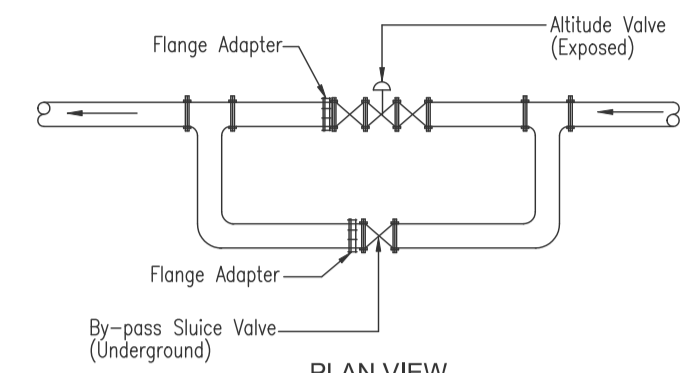
DETAIL 'C' N.T.S.



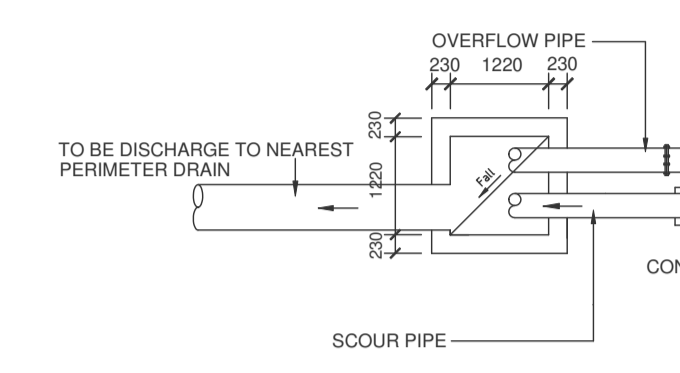
PLAN VIEW SCALE 1:50



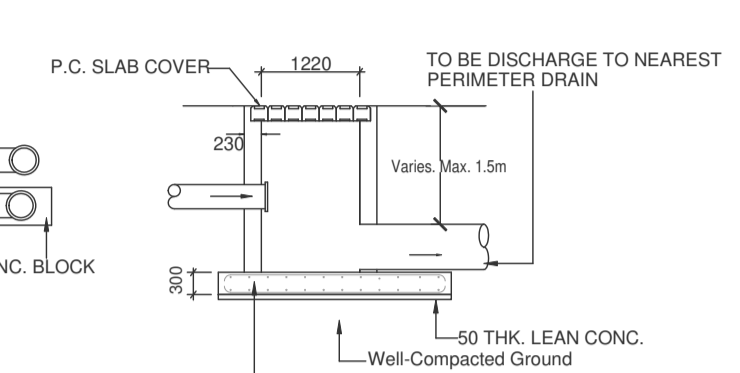
DETAIL OF P.C. SLAB COVER N.T.S.



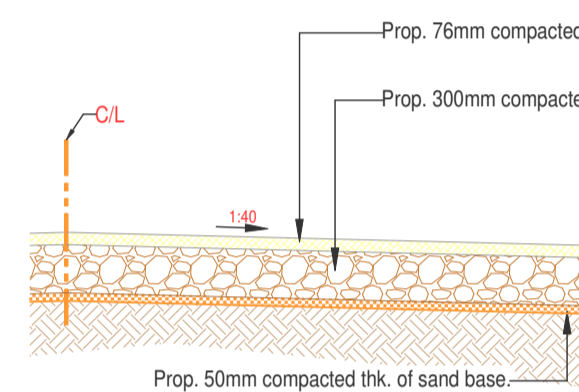
PLAN VIEW FOR ALTITUDE VALVE SCALE 1:75



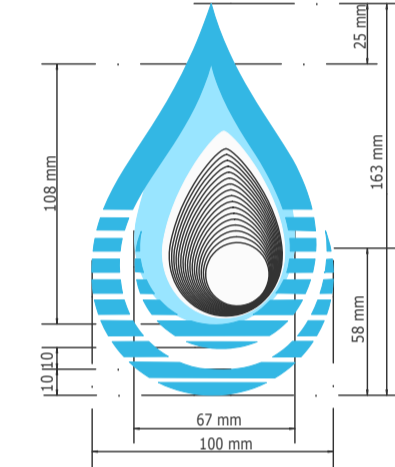
PLAN VIEW FOR SCOUR AND OVERFLOW PIPE (ELEVATED TANK) SCALE 1:75



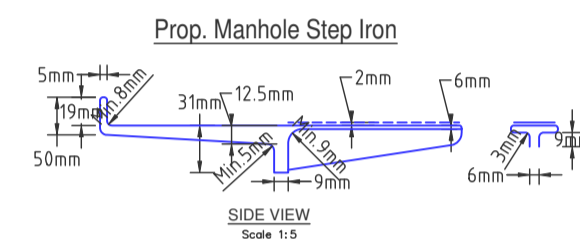
TYPICAL CHAMBER DETAIL FOR SCOUR AND OVERFLOW PIPES (ELEVATED TANK) SCALE 1:75



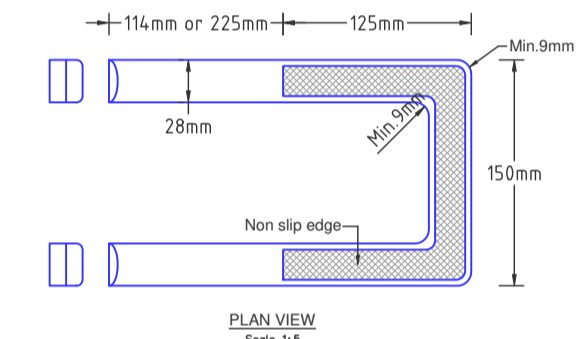
TYPICAL PREMIX ROAD Scale 1:40



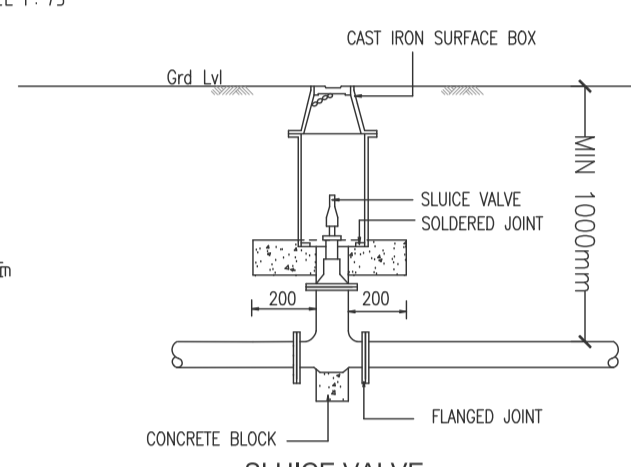
LOGO LEMBAGA AIR PERAK Scale 1:2



Prop. Manhole Step Iron Scale 1:5

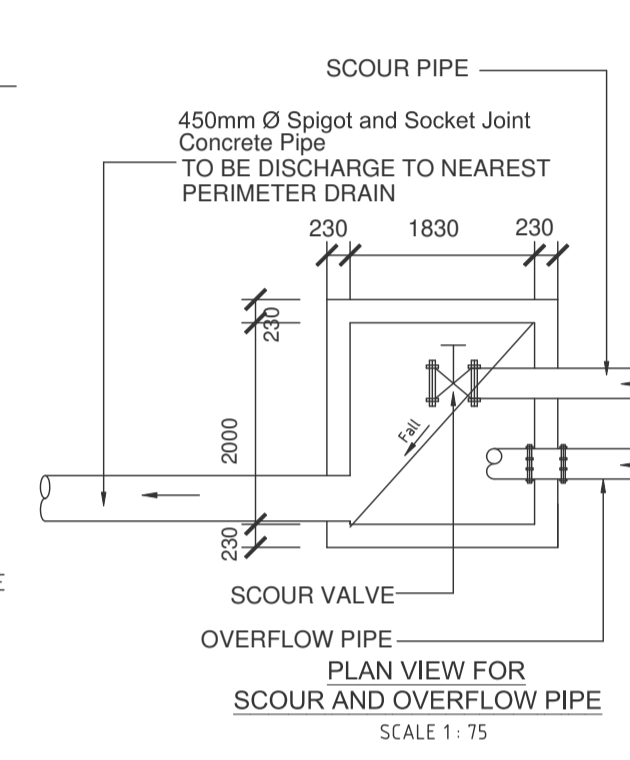


PLAN VIEW Scale 1:5

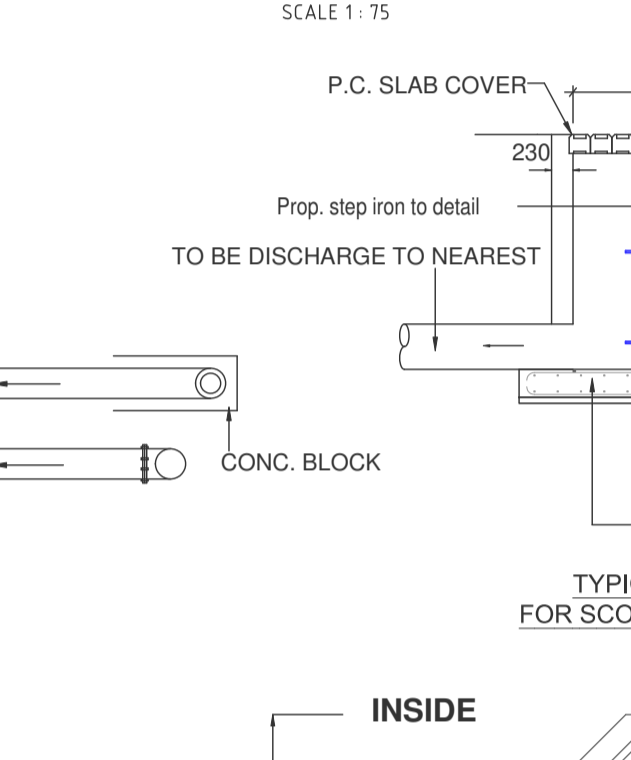


SLUICE VALVE SCALE 1:75

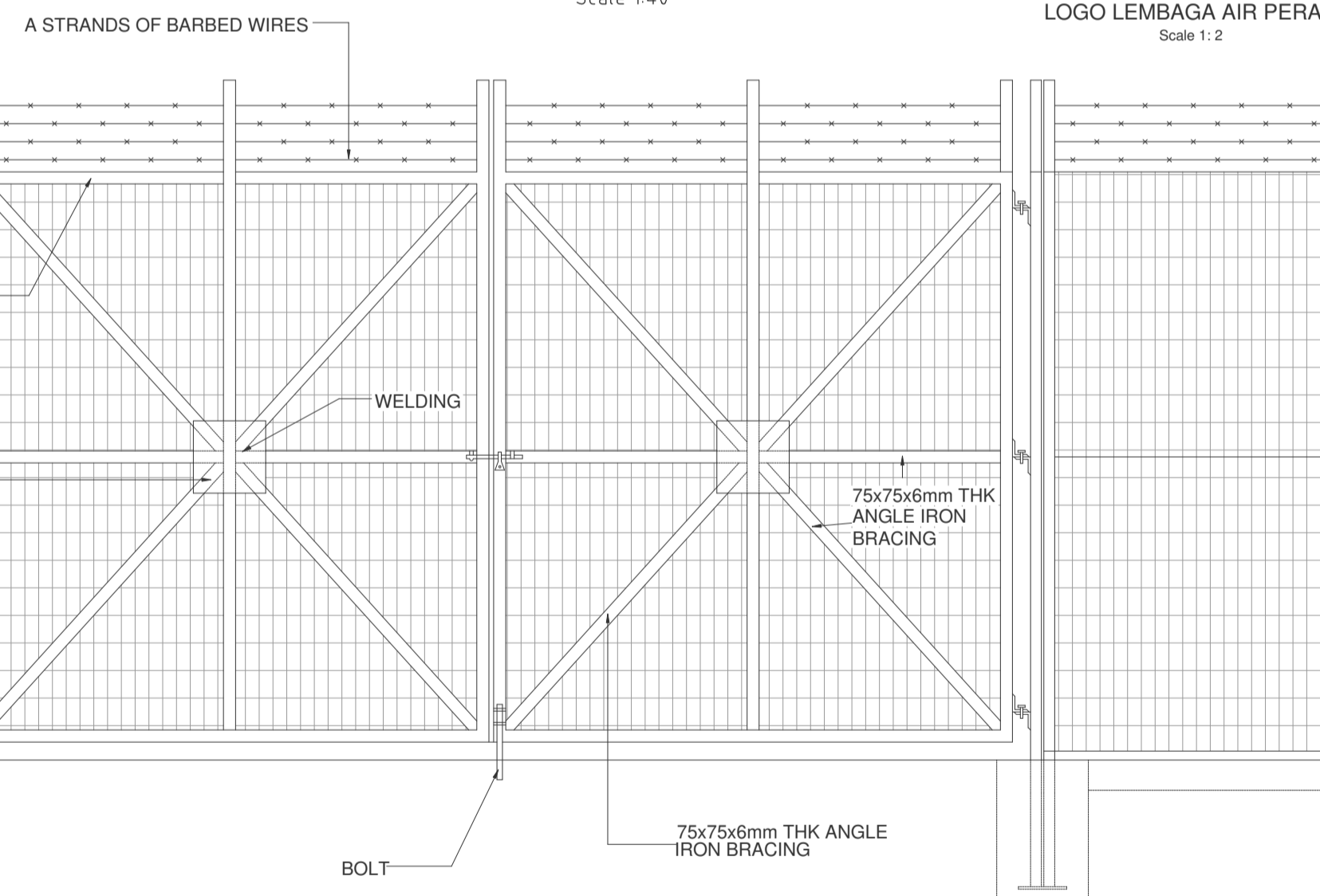
PLAN VIEW FOR SLUICE VALVE SCALE 1:75



PLAN VIEW FOR SCOUR AND OVERFLOW PIPE SCALE 1:75

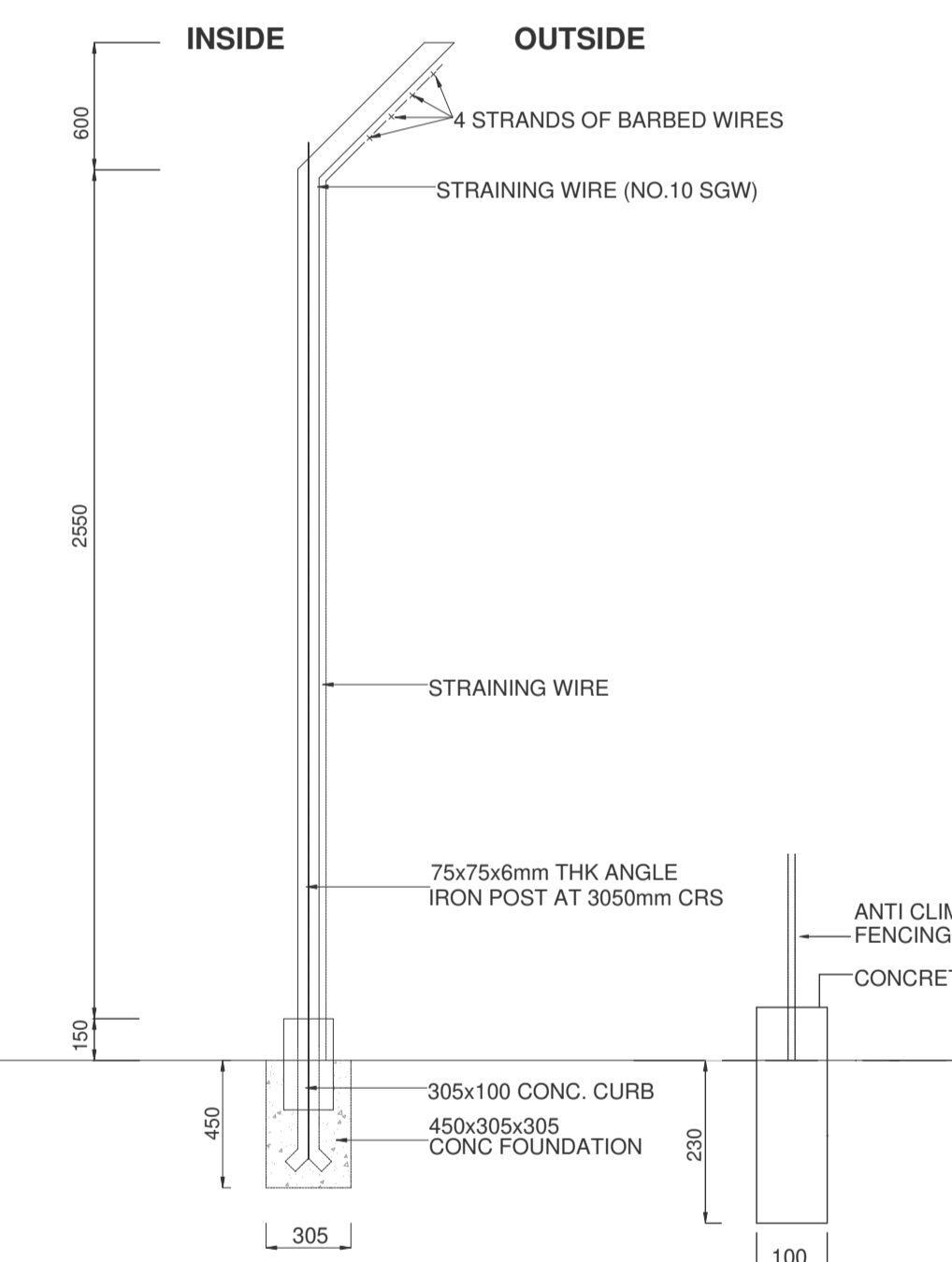


TYPICAL CHAMBER DETAIL FOR SCOUR AND OVERFLOW PIPES SCALE 1:75



ANTI CLIMB FENCING ELEVATION VIEW SCALE 1:25

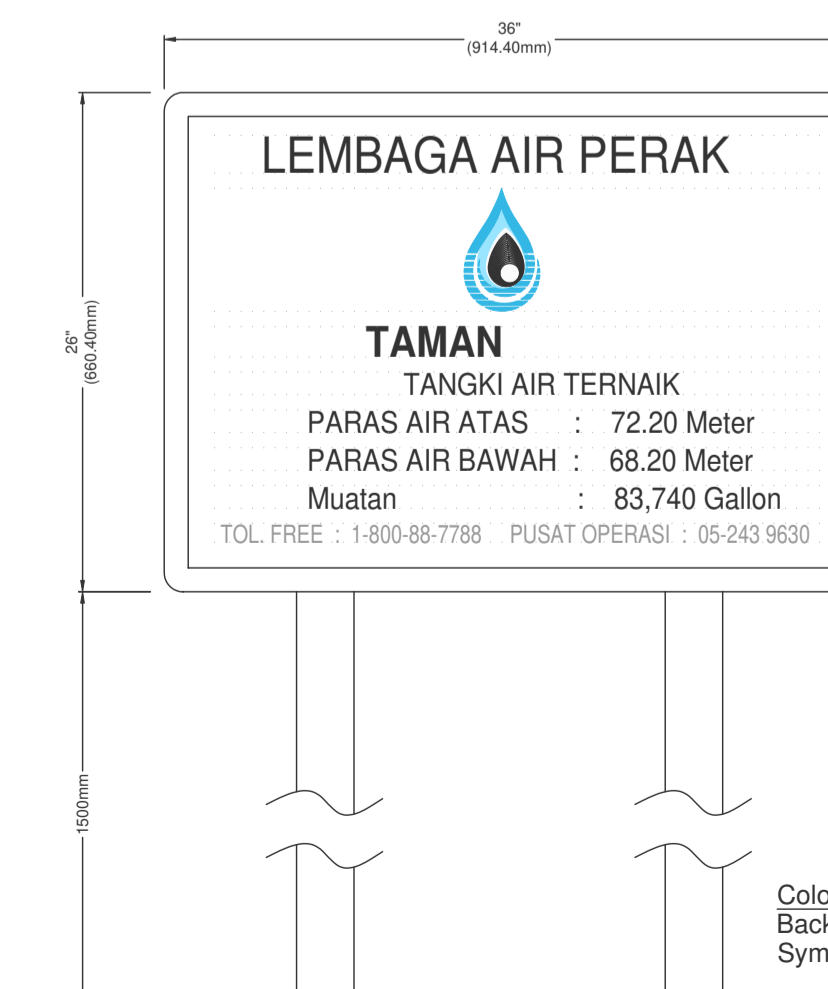
2.7m(H) 2.4m(W) ANTI CLIMB FENCE  
 12.5mm(v) x 75mm(H) 4mmØ  
 HOT DIP GALVANISED WIRE (FINISH : GERY)  
 (MS7401981 / BS 729,1971)



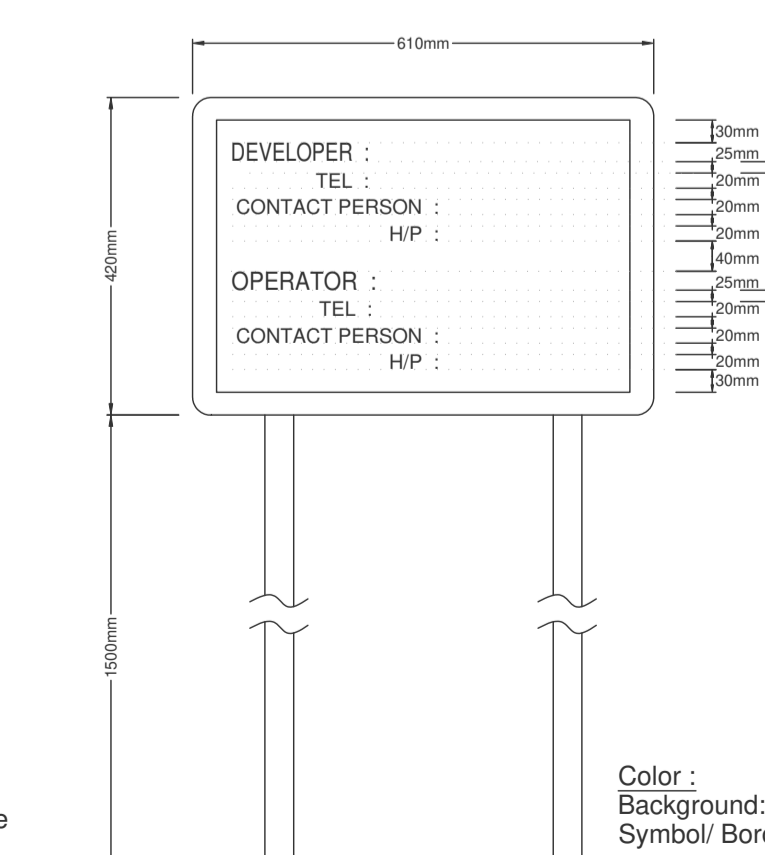
SIDE ELEVATION SCALE 1:20



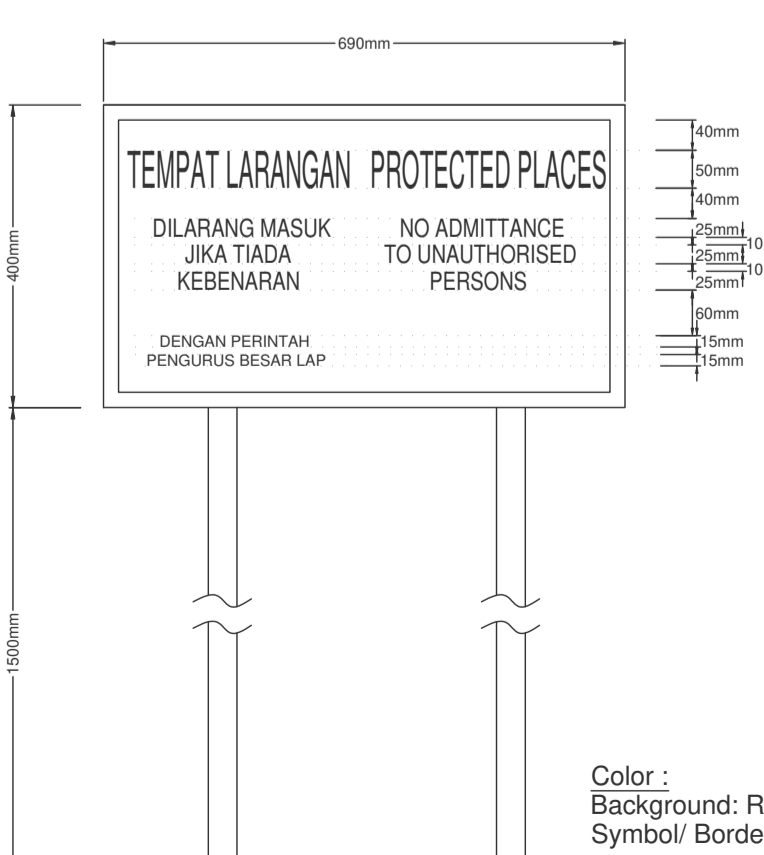
SIGNBOARD A Scale 1:10



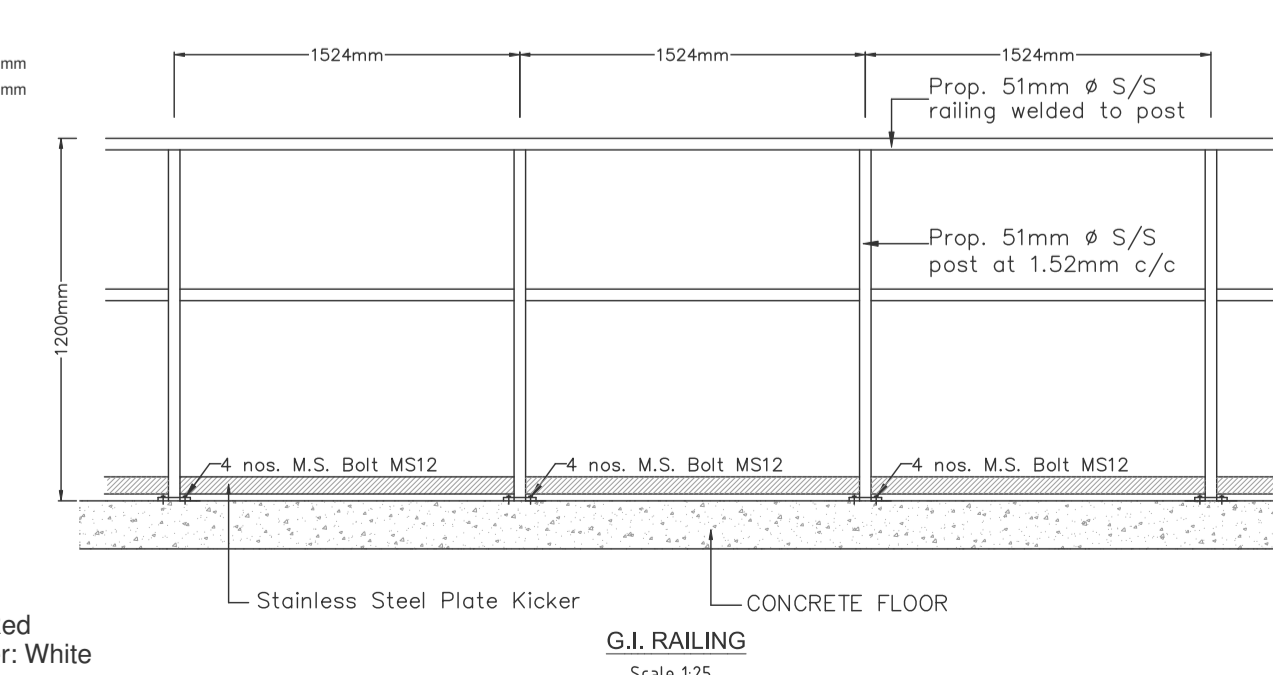
SIGNBOARD B Scale 1:10



SIGNBOARD C Scale 1:10



WARNING SIGNBOARD Scale 1:10



G.I. RAILING Scale 1:25

Date	Ref.	Amendment
25/11/2024	A	LAP Comments

Developer's Signature :  
**KERIS ENGINEERING & COMMUNICATIONS SDN. BHD.**  
 (No. Syarikat : 271458-A)

NAME : DATO' LEE SENG HEE  
 I/C NO. : 550616-08-5233  
 TEL : 05-281 1222 FAX : 05-255 7772  
 ADD. : TKB TOWER, TIMES SQUARE IPOH  
 A-G-1, JALAN RAJA DR. NAZRIN SHAH,  
 30250, IPOH, PERAK DARUL RIDZUAN.

Project Title :  
**CADANGAN PEMBINAAN TANGKI TERNAK BAGI CADANGAN SKIM PERUMAHAN KOMUNITI BERPENGAWAL (GUARDED NEIGHBOURHOOD) DI ATAS LOT 13622 (PN 278265) DAN LOT 13623 (PN 278267) SELUAS 26.75 EKAR (10.825 HEKTAR) MUKIM BIDOR, DAERAH BATANG PADANG, PERAK DARUL RIDZUAN.**

UNTUK TUJUAN  
**KERIS ENGINEERING & COMMUNICATIONS SDN BHD**

Sub Title :  
**STANDARD DETAILS**

Engineer's Signature :

I hereby certify that these details are in accordance with the water supply enactment and bye laws and accept full responsibility for the design and supervision of the works.

**PERUNDING MANH SDN BHD** (1332455-W)  
 CONSULTING ENGINEERS / JURUTERA PERUNDING  
 No. 10, Jalan Chew Boon Juan  
 30250 Ipoh, Perak Darul Ridzuan.  
 Tel / Fax : 05-210 0818  
 E-mail: manh.tp@yahoo.com  
 SST: A10-2001-32100003

DESIGNED BY	DATE	SCALE
Wai Fun	25-11-2024	AS SHOWN

DRAWING NO: **KEC/2311/HS/WT - 4A**