

TECHNICAL PROPOSAL

BUILD CATEGORY : MC2021
REGION : NORTHERN
STATE : PERAK
CONTRACTOR : TELITI TEKNIK (M) SDN BHD

LINK:
C24-0191BC_A00806_MNKGAYERPANAS to A00423_GNGINAS



MC21_PERAK

No	Region	States	District	Bucket	Work Package	Fiber ID	Loc ID	Site Name	PLANNING INFRA (KM)	PLANNING CABLE (KM)	TP INFRA (KM)	TP SWAP (KM)	TP CABLE (KM)	Type Cable
1	NORTHERN	PERAK	HULU PERAK	MC2021	WP_2024_C24-0191BC_A00806_MNKGAYERPANAS	C24-0191BC	A00806	MNKGAYERPANAS	1.3	1.5	0.680	-	0.782	MAB



Technical Proposal

FIBRE OPTIC CABLING SYSTEM AND ALL RELATED WORKSSURVEY, CONSTRUCTION AND IMPLEMENTATION OF CIVIL INFRASTRUCTURE.

LINK NAME : C24-0191BC_A00806_MNKGAYERPANAS to A00423_GNGINAS

TABLE OF CONTENTS

- PART 1 INTRODUCTION

- PART 2 SITE LOCATION MAP & OVERVIEW

- PART 3 SLD INFRA AND CABLE DETAILS

- PART 4 3rd PARTIES DEPENDENCIES

- PART 5 OSP & ISP PROPOSED SNAPSHOT

- PART 6 PROPOSED WORK PROGRAM



PART 1

INTRODUCTION

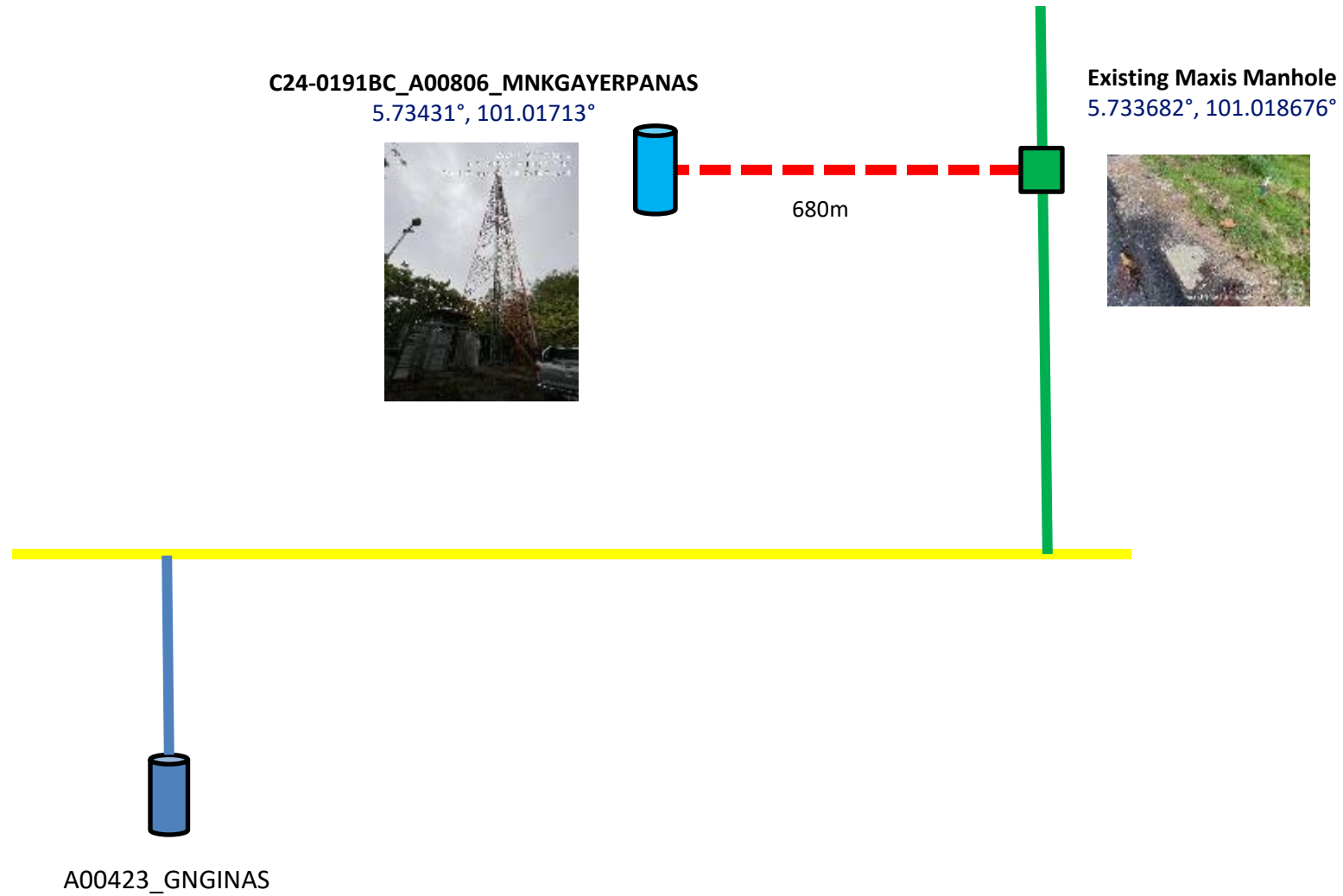
Project Name	SURVEY, CONSTRUCTION AND IMPLEMENTATION OF CIVIL INFRASTRUCTURE, FIBRE OPTIC CABLING SYSTEM AND ALL RELATED WORKS MC21_PERAK : C24-0191BC_A00806_MNKGAYERPANAS to A00423_GNGINAS
Scope of work	Survey, Trenching, HDD, Fibre optic Cabling & Splicing Work
Site Name	MNKGAYERPANAS
Location/Floor Layout	As Attached
Location ID	A00806
Site Address	Kg Ayer Panas, Pengkalan Hulu, Hulu Perak, Perak
Longitude, Latitude	5.73431°, 101.01713°
Building Owner	E.CO,
Date of Survey	4/11/2024
Prepared By	TELITI TEKNIK (M) SDN BHD
Celcomdigi Berhad	En. Wan Sobri Bin Wan Ahmad wansobri@celcomdigi.com 019-416 6963

PART 2 SITE LOCATION MAP



PART 3

SLD INFRA DETAILS



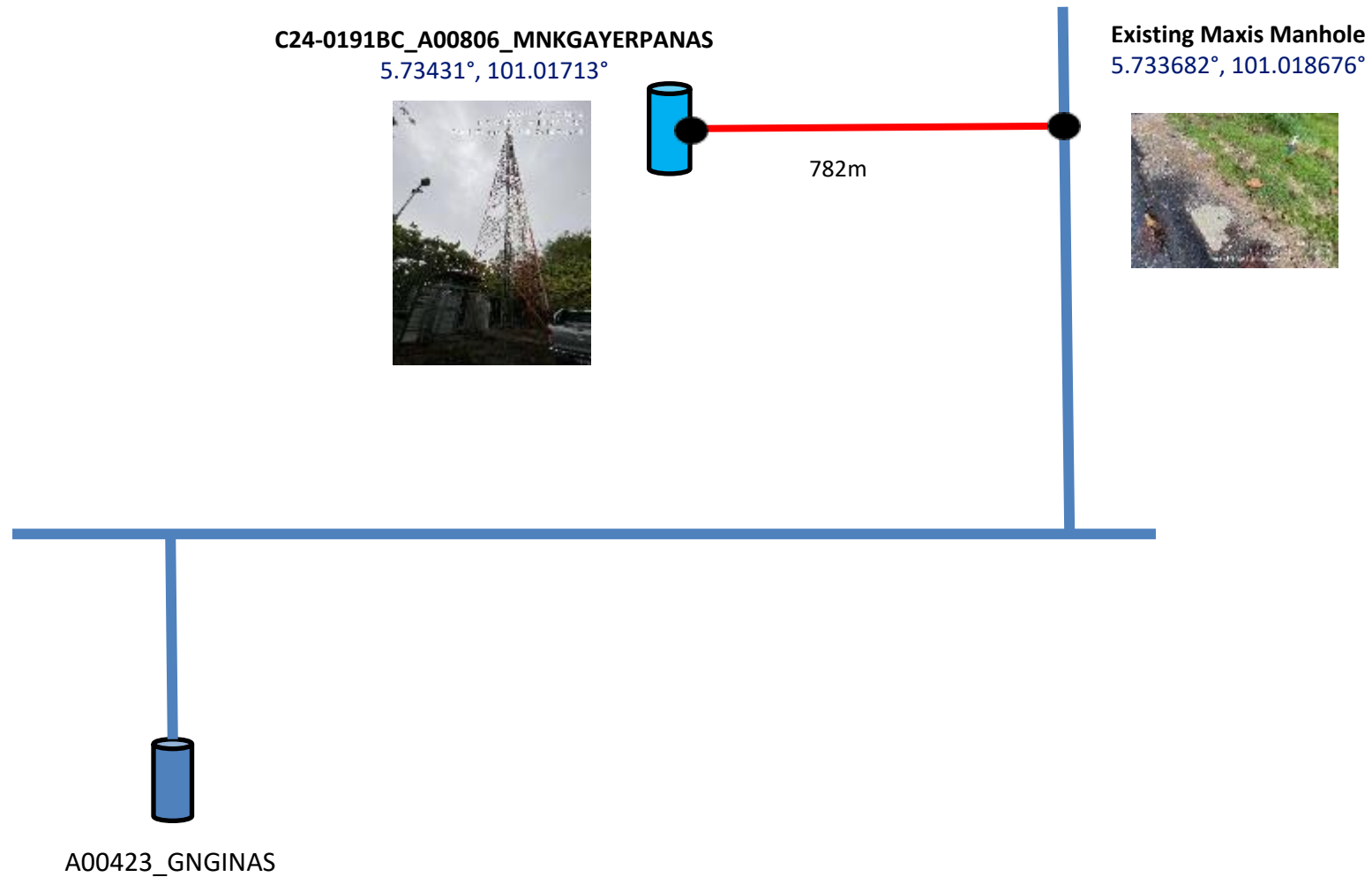
	xCelcom Node
	xDigi Node
	Existing xCelcom Infra
	Existing xDigi Infra
	Existing Maxis Infra
	New Build
	Existing xCelcom MH
	Existing xDigi MH
	Existing Maxis MH






TOTAL NEW BUILD : 570m
TOTAL SITES : 1



PART 3

SLD CABLE JOINT



	xCelcom Node
	FEDB
	Existing xCelcom OFC
	New OFC
	Joint / Termination

TOTAL NEW OFC: 680 MTR + 15% = 782 MTR
TOTAL STAND ALONE : 0 MTR + 15% = 0 MTR
GRAND TOTAL : 782 MTR + 0 MTR = 782 MTR
TOTAL JOINT/TERMINATION : 2



PART 4

3rd Parties Dependencies

Item	Parties Involve And Location
LA/LC	1. MAJLIS DAERAH PENGKALAN HULU 2. JABATAN KERJA RAYA DAERAH HULU PERAK
LLM / KTM / SBC. Etc	
Building Management / LandLord	
Private Owner	

Other Highlights/Remark
Road crossing and ROW change expected depending on Local Authority instruction. Method of Statement and location of MH subject to site condition and as advice/instruction by Implementation Manager during construction since other utilities like water pipes, telecommunication infra and TNB spotted on site.

PART 5

OSP & ISP PROPOSED SNAPSHOT



Location of Rack / ODF & Cable Routing

Private & Confidential



celcomdigi

PART 5

OSP & ISP PROPOSED SNAPSHOT



Cable Routing

Private & Confidential



celcomdigi

PART 5

OSP & ISP PROPOSED SNAPSHOT



Civil & Cable Routing

Private & Confidential



celcomdigi

PART 5

OSP & ISP PROPOSED SNAPSHOT



Civil & Cable Routing

Private & Confidential



celcomdigi

PART 5

OSP & ISP PROPOSED SNAPSHOT



Civil & Cable Routing

Private & Confidential



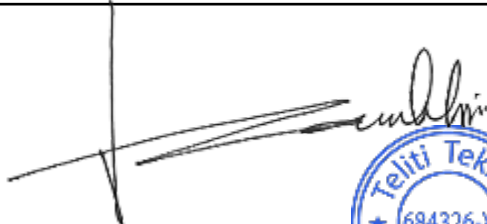
celcomdigi

PART 8

SUMMARY OF PROPOSAL

ITEM	W46 2024	W47 2024	W48 2024	W49 2024	W50 2024	W51 2024	W52 2024	W1 2025	W2 2025	W3 2025	W4 2025	W5 2025	W6 2025	W7 2025	W8 2025	W9 2025
PR & PO Process	2 Week															
P.O Handover																
Work Permit (PTW & ePTW)			6 Week													
MOB & CIVIL WORK									6 Week							
Cable Installation & Commissioning																1 Week



Prepared by:	Approved by:
 Signature :	 Signature :
Name : MOHAMMAD IZUDDIN MOHD MUSAI	Name :
Designation: PROJECT MANAGER	Designation:
Date: 13/11/24	Date: