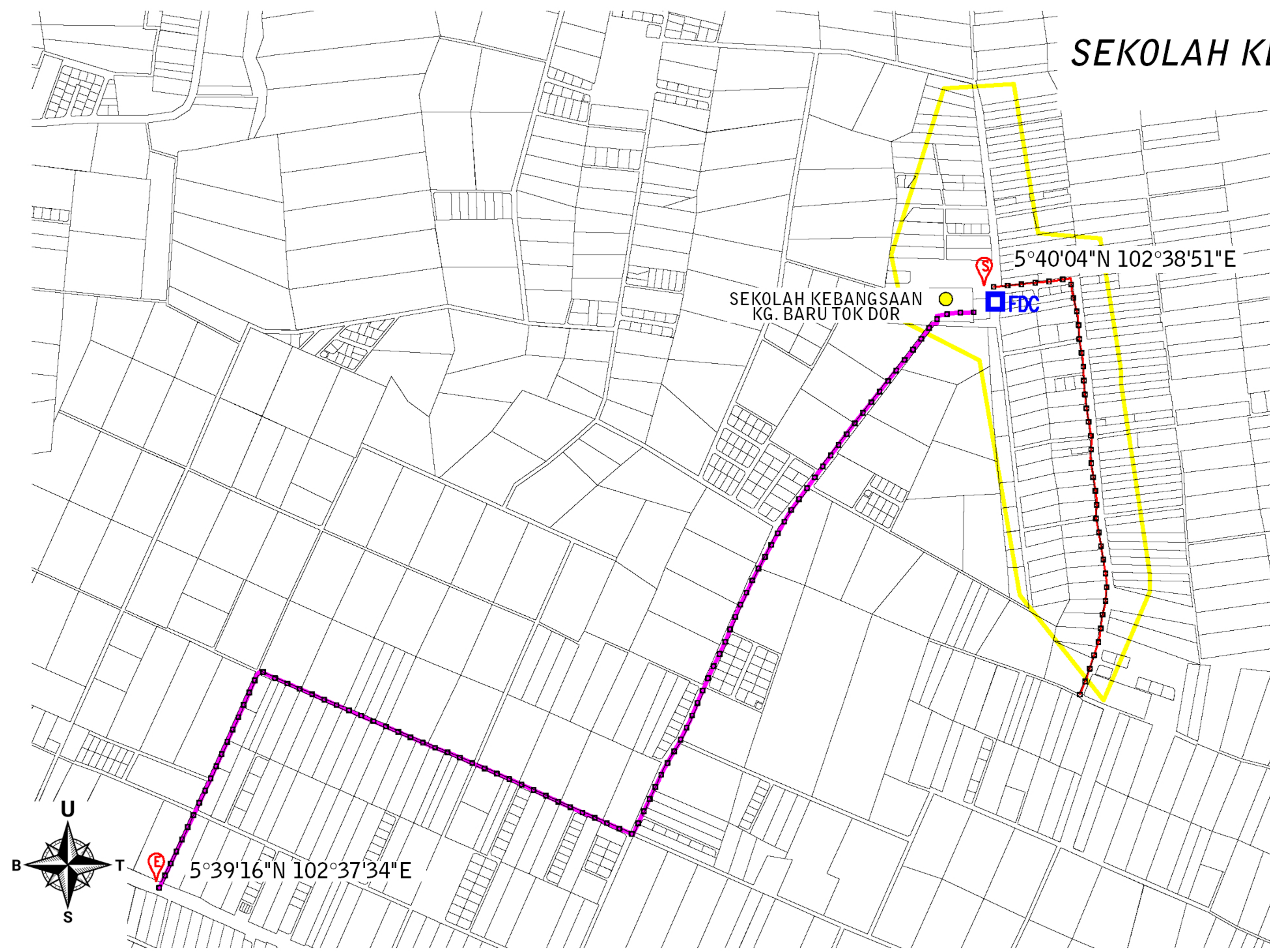










(DAERAH BESUT)
SEKOLAH KEBANGSAAN KG. BARU TOK DOR




-  - total length = 1,315.52m
 - post = 37 nos
 - distance post = 35m
 -  - total length = 3,400.6m
 - post = 97 nos
 - distance post = 35m
- TOTAL POST = 134 NOS**

LEGEND :

-  - GPON CABLE
-  - BACKHAUL CABLE
-  FDC - FIBRE DISTRIBUTION CABINET
-  - START
-  - END
-  - SCHOOL

SITE PLAN



| | | | | | | |
|------------------|------------------------|-------------|---|---|---------------------|---|
| DRAWN BY: Potyar | CLUSTER NAME : BESUT | ENDORSE BY: | KORIDOR UTILITI TEKNOLOGI TERENGGANU (Pelan Infrastruktur Utiliti) | NOTE:  AHMAD FARID BIN MOHAMAD Managing Director AZIMAT TELCO SDN BHD (1367371-U) | SHEET | |
| | CHKD BY: | | | | | PROJECT TITLE: PERMOHONAN HAK AKSES CADANGAN LALUAN FIBER OPTIK & PENANAMAN TIANG BAGI PERMOHONAN IZIN LALU UNTUK PROJEK PENYEDIAAN DAN PENYELENGGARAAN POINT OF PRESENCE (POP) HUB INFRASTRUKTUR GENTIAN OPTIK BERHAMPIRAN DENGAN SEKOLAH, KAW. PERINDUSTRIAN, PREMIS KERAJAAN DAN KOMUNITI SEKITARNYA OLEH KEMENTERIAN KOMUNIKASI DAN MULTIMEDIA (K-KOM) |
| | DATE: DEC 2024 | | | | STATE: TERENGGANU | |
| | DWG. NO.: NA/YAR/24/11 | | | | SCALE: NOT TO SCALE | VERSION: 1 |