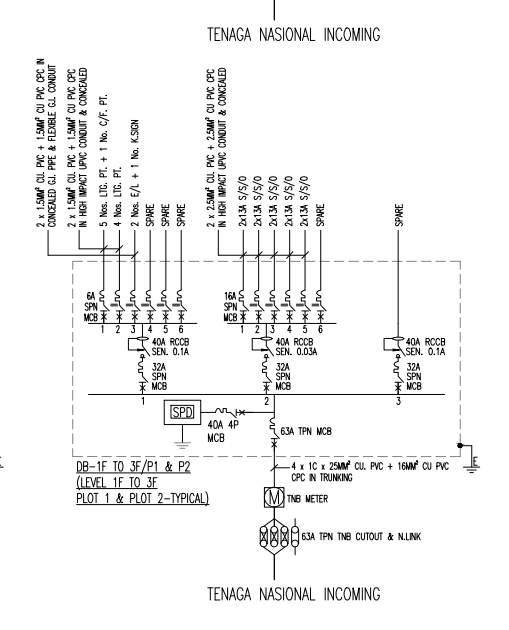
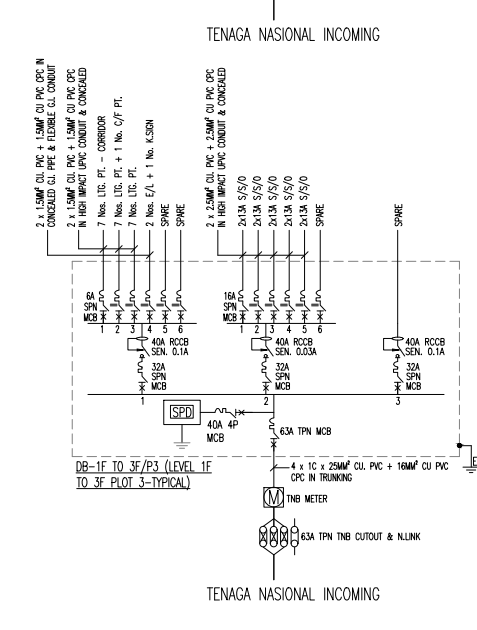
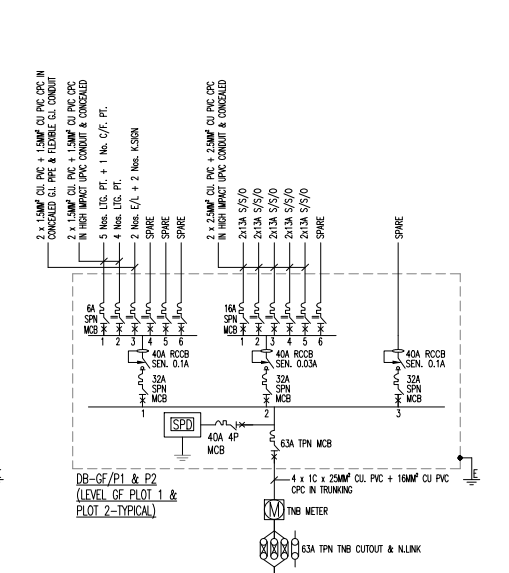
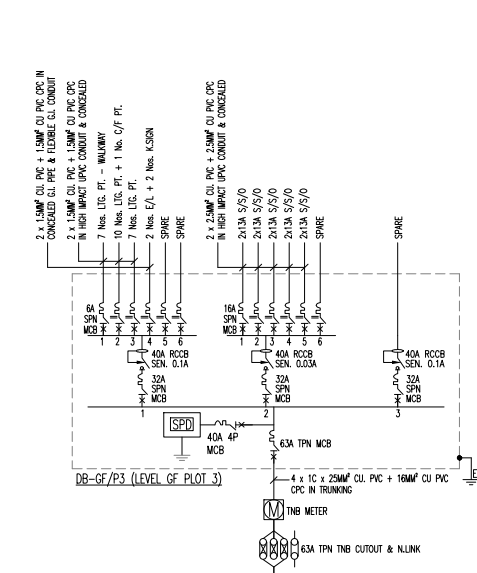
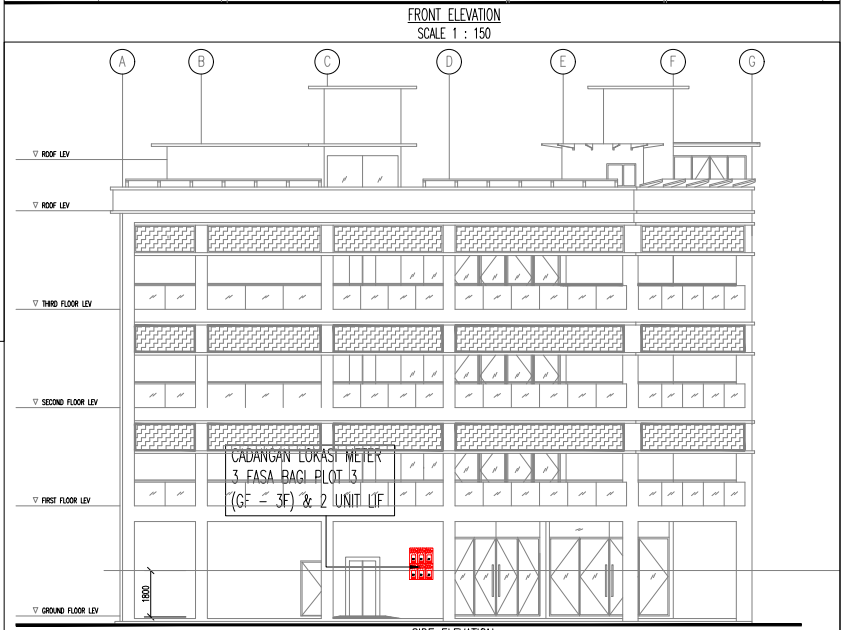
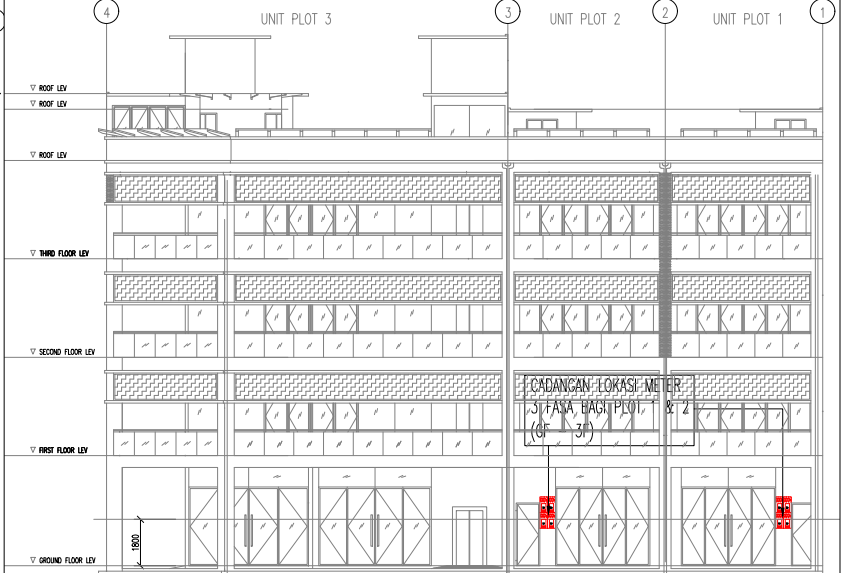
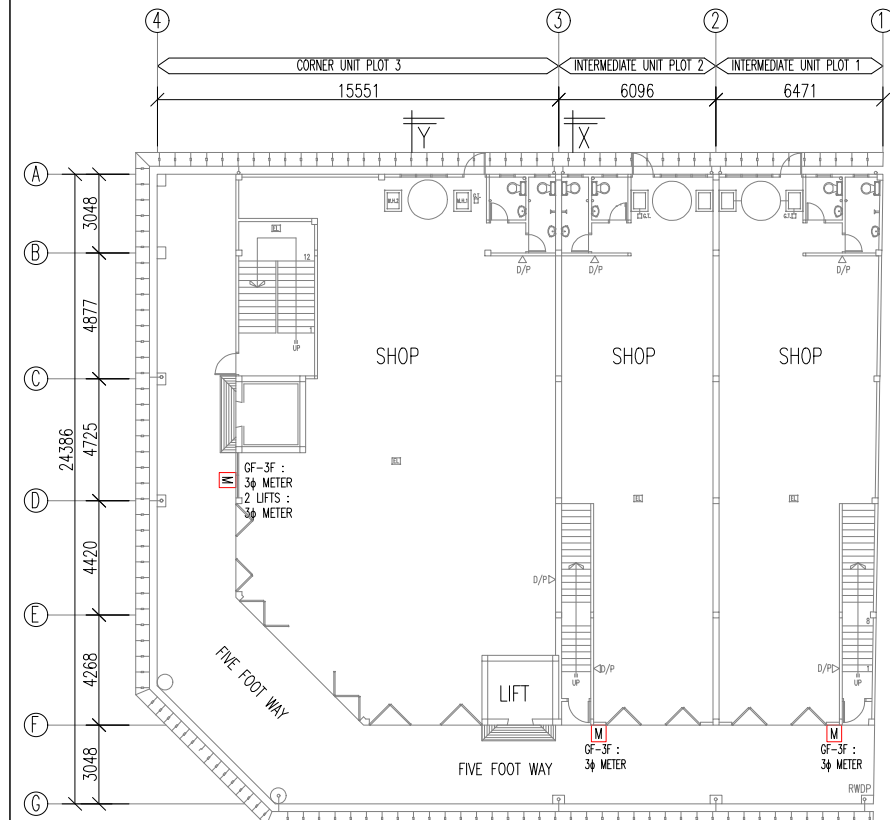


GENERAL NOTE:  
ALL DIMENSION HAS TO BE VERIFIED AND CONFIRMED ON SITE. ANY DISCREPANCY HAS TO BE REPORTED TO THE PERSON IN-CHARGE BEFORE PROCEEDING WITH ANY CONSTRUCTION.



OWNER'S SIGNATURE :  
MAINLAND SEASONS SDN. BHD.

NAME : MR. KEE KIN HWA  
I.C. NO. : 560908-08-6373  
ADDRESS : NO. 63, TINGKAT 1, LORONG 1, TAMAN MELOR 2, 36000 TELUK INTAN, PERAK DARUL RIDZUAN.  
TEL : 05-623 5355

PROJECT :  
CADANGAN PINDAAN KEPADA PELAN LULUSAN NO. 079-2014 & 197-2014 DLM. MPTL(B) L 02-2014 BAGI CADANGAN MEMBINA 3 UNIT KEDAI PEJABAT 4 TINGKAT PLOT 1- PLOT 3 DI ATAS SEBAGIAN LOT 25, PEKAN SIMPANG EMPAT, DAERAH HILIR PERAK, PERAK DARUL RIDZUAN.

UNTUK TETUAN MAINLAND SEASONS SDN. BHD.

TITLE :  
SITE, LOCATION & KEY PLAN  
ELECTRICAL SCHEMATIC DIAGRAM  
GROUND FLOOR PLAN  
FRONT & SIDE ELEVATION

ENGINEER'S SIGNATURE :  
MOKHTAR CONSULT & ASSOCIATES  
CIVIL, STRUCTURAL, MECHANICAL & ELECTRICAL CONSULTING ENGINEERS  
9A-11A, JALAN CHENG THYE PHAN, 30250 IPOH, PERAK DARUL RIDZUAN  
TEL : 05-2544198, 05-2535175 FAX : 05-2544270  
E-MAIL 1 : mclaret@gmail.com E-MAIL 2 : mokhtarconsult@gmail.com



COPYRIGHT (C) OF MOKHTAR CONSULT & ASSOCIATES  
ALL RIGHTS RESERVED.  
THIS DRAWING IS COPYRIGHT EXCEPT FOR THE CONSTRUCTIONS OF THE PROJECT NAMED HEREIN. NO PART OF THIS DRAWING SHOULD BE REPRODUCED BY ANY MEANS NOR TRANSMITTED IN TO MACHINE LANGUAGE OR USE FOR THE CONSTRUCTIONS OF OTHER PROJECTS DIFFERENT FROM THAT NAMED HEREIN WITHOUT THE WRITTEN PERMISSIONS OF MOKHTAR CONSULT & ASSOCIATES.

● SUBMISSION DRAWING ○ TENDER DRAWING ○ AS BUILT DRAWING  
○ PRELIMINARY DRAWING ○ CONSTRUCTION DRAWING ○ APPROVED FOR ISSUANCE  
SCALE : AS SHOWN CHECKED BY : Ir. CHENG KOK JOR DRAWN BY :  
DATE : 20/03/25 APPROVED BY : Ir. CHENG KOK JOR  
ACAD FILE : (20-06-24) Mainland Season-Site(E).dwg  
DRAWING NO. : CKJ/MCA/7183/23/E-01