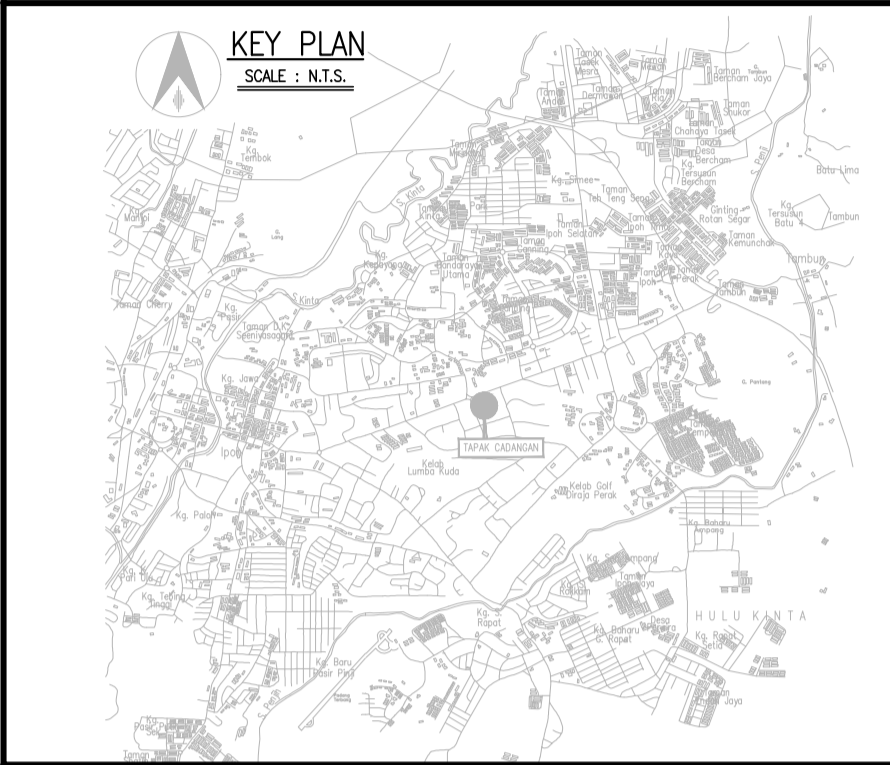
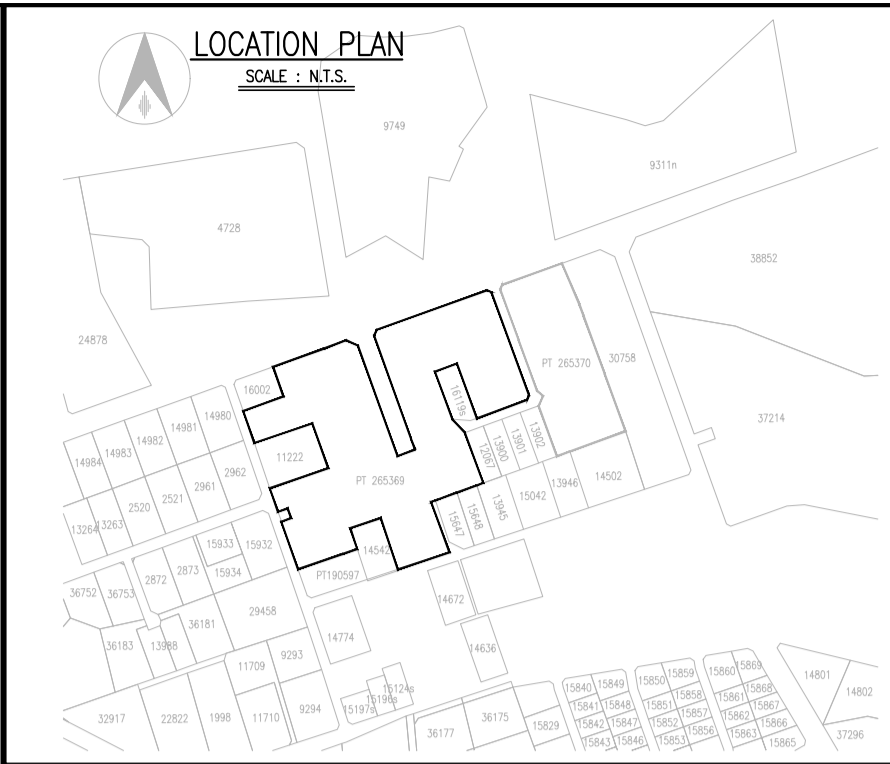


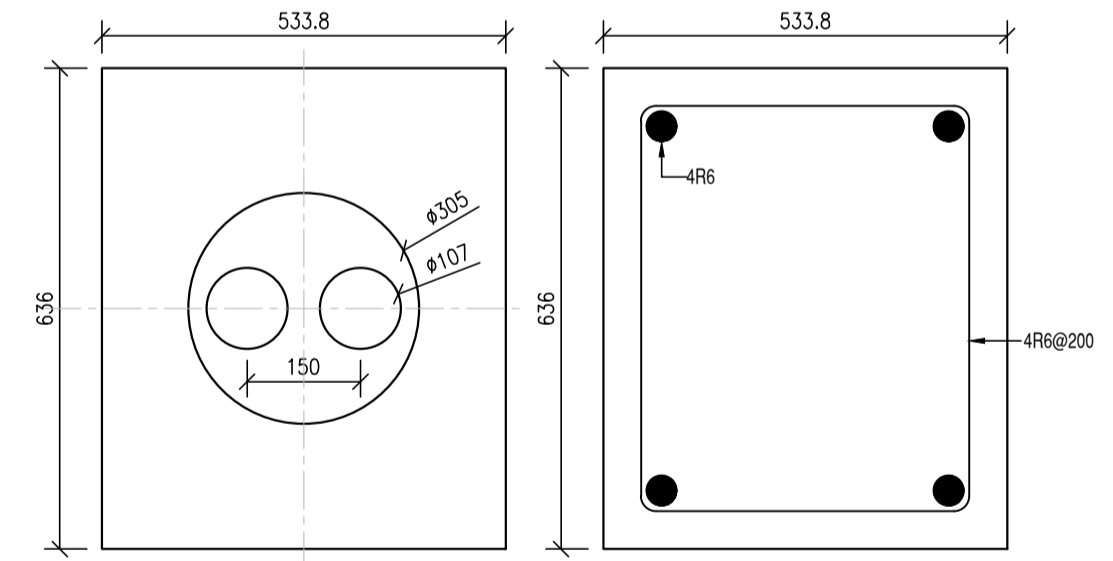
SITE PLAN
SCALE 1 : 1000



LEGEND:	DESCRIPTION:
■	EXISTING TELEKOM MANHOLE
TP O	EXISTING TELEKOM POLE
▣	PROPOSED JC9C
▣	PROPOSED JB30
□	PROPOSED PEDESTAL DP (12 WAYS)
□	PROPOSED TEL. PIT C/W R.C. COVER 380mm x 380mm x 380mm
---	PROPOSED 100Ø HIGH IMPACT UPVC DUCT ROUTE 63Ø HDPE (OD) PIPE RUNS UNDERGROUND

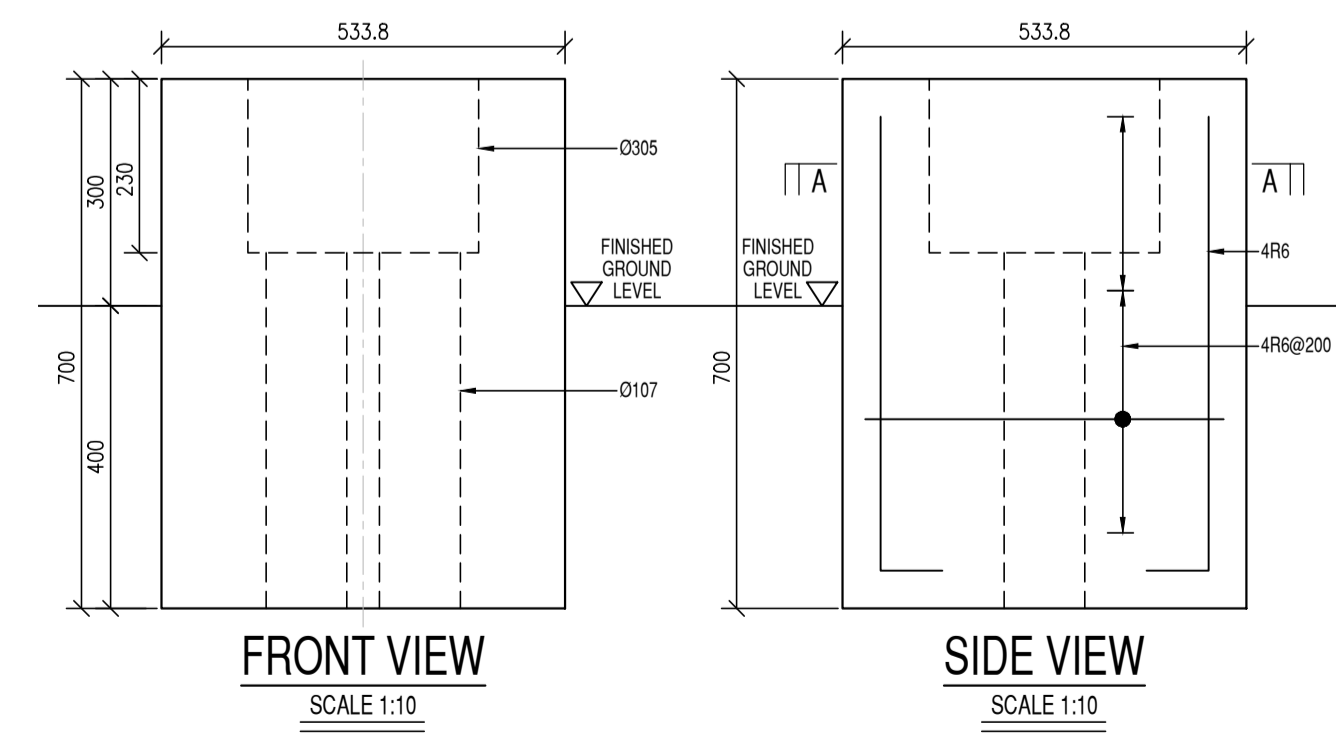
NOTES:

1. CONCRETE GRADE 25
2. MINIMUM SAFE GROUND BEARING CAPACITY 50kn/m²
3. ALL OPENING AND DIMENSION SHALL FOLLOWING WUHAN FIBER HOME INTERNATIONAL (M) SDN. BHD. SHOP DRAWING
4. MINIMUM COVER 25mm



PLAN VIEW
SCALE 1:10

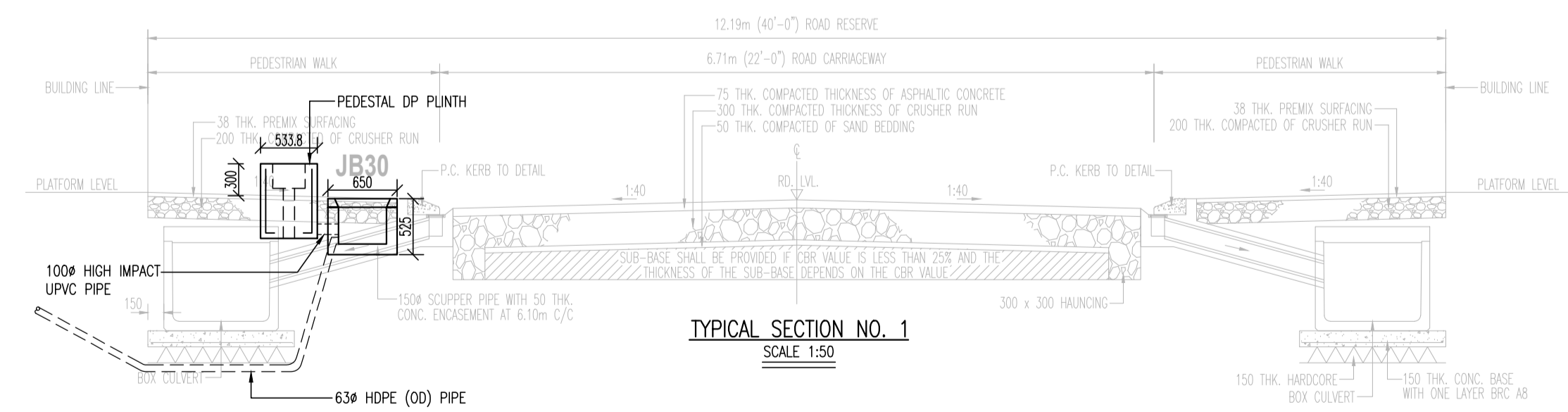
SECTION A-A
SCALE 1:10



FRONT VIEW
SCALE 1:10

SIDE VIEW
SCALE 1:10

PEDESTAL PLINTH DETAILS



TYPICAL SECTION NO. 1
SCALE 1:50

ITEM	DATE	AMENDMENT

PROJECT
CADANGAN SKIM PERUMAHAN DI ATAS PT 265369 (HSD 229470) & PT 265370 (HSD 229471), BANDAR IPOH (S), DAERAH KINTA, PERAK DARUL RIDZUAN. (LOKASI : BANDAR IPOH)

UNTUK: TUJUAN PERBADANAN SETIAUSAHA KERAJAAN NEGERI PERAK (SSI)

OWNER'S SIGNATURE

PERBADANAN SETIAUSAHA KERAJAAN NEGERI PERAK (SSI)
NO. E-10-2, MENARA SSI, SHOW IPOH 2, JALAN SULTAN IDRIS SHAH, 30000 IPOH, PERAK DARUL RIDZUAN.

DEVELOPER'S SIGNATURE

MACORP HOLDINGS SDN BHD
TIME SQUARE IPOH, B-6-20, JALAN SULTAN NAZRIN SHAH, 30250 IPOH, PERAK DARUL RIDZUAN.

ENGINEER'S SIGNATURE



SAYA MEMPERAKUI BAWAHA BUTIR-BUTIR DALAM PELAN INI ADALAH MENURUT KEHENDAK-KEHENDAK UNDANG-UNDANG KECIL BANGUNAN 1984 DAN SAYA SETUJU TERIMA TANGGUNGJAWAB PENUH DENGAN SEWAJAHNYA

POWER SPECTRA
(P0471441-K) c o n s u l t
12, Jalan Datoah 1, Jalan Datoah, 30000 Ipoh, Perak Darul Ridzuan, Malaysia.
T: 05-2551062
E: info.powerspectra@gmail.com

IN ASSOCIATE :
OTS ENGINEERING CONSULTANCY(1639834-M)
60-1, JALAN RADIN TENGAH, BANDAR BARU SERI PETALING, PETALING, 57000 KUALA LUMPUR.
TEL: +603-90586113 FAX: +603-90583272

SCALE: AS SHOWN
DATE: SEP. 2024
DRAWN BY: Z.Y.
ACAD FILE:

CHECKED BY: JOY.
APPROVED BY: IR. NG CHEE YEE
TITLE
SITE, LOCATION & KEY PLAN
TELEPHONE INFRASTRUCTURE LAYOUT & TYPICAL SECTION NO. 1

DRAWING NO: PSC/M&E/2096/19/SITE-T

ARCHITECT

SURVEYOR

CONSTRUCTION DRAWING
DATE :